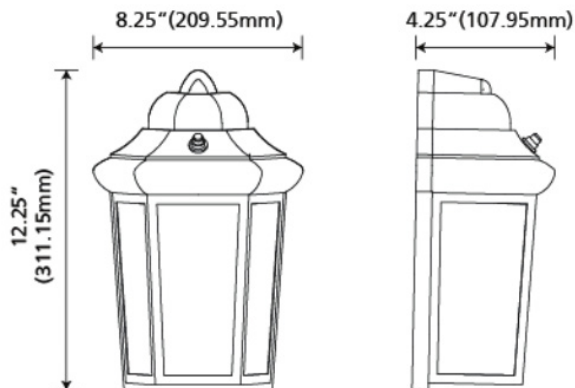


Ordering Information

Dimensions



DOW Series

9W, 800 Lumens
11W, 1100 Lumens

Rated Life 60,000 hours
Limited Warranty 3 years
Efficacy Up to 100 LPW

Quick Ship

Made To Order Only



Specification Features

Construction

Rugged die cast aluminum housing withstands outdoor environments. Outer surface treated with durable power coating to provide resistance to corrosion, rust, weathering, and or degradation. Performance engineered internal heat dissipation fins provide superior thermal management for LED life and reliability.

Qualifications

All luminaires are built to UL 1598 and 2108 standards, and bear appropriate ETL labels. Wet location labeling is standard. Emergency equipped fixtures labeled UL924. Adheres to LM70, LM80, and TM21 industry standards. ENERGY STAR® certified product (for 3000K and 4000K only). Dedicated 120V Models are FCC Title 47 CFR, Part 15, Class B for residential and commercial applications.

Electrical

120V Driver operates at 60Hz.

Installation

Designed for mounting on 4" electrical J-Box.

Warranty

3-year limited warranty. See complete warranty for terms and exclusions. (Labor not included).

Ordering Information

Example: DOW-9-120-850

DOW	11	120	8	50	BL	P
Series DOW Decorative Outdoor Pocket Lantern	Rated Wattage 9-9W, 800 Lumens ¹ 11-11W, 1100 Lumens ¹	Driver Type 120- 120V ¹	CRI 8 80+ CRI	Color Temperature 30 3000 K ¹ 50 5000 K ¹	Driver Finish BL- Black ¹	Options P- Photocell ¹

Specifications and Dimensions subject to change without notice.

¹ Made to order items. Minimum 90 day lead time. Minimum 500 order quantity.
² Energy star listed