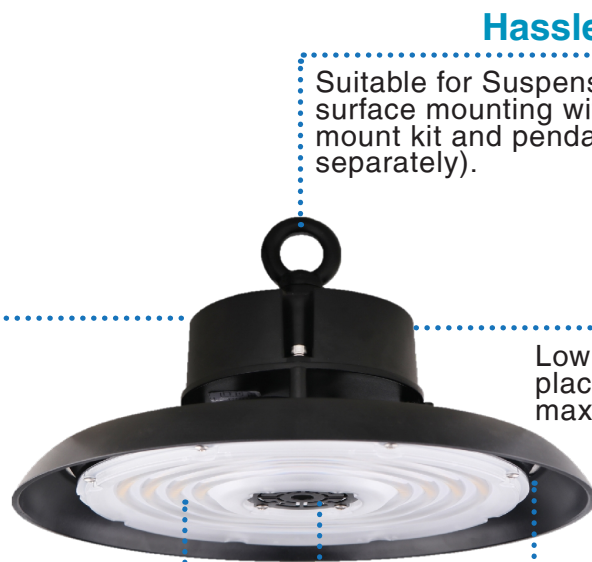


GlobalLux  
LIGHTING



UFO2 LED High Bay  
UFO2 Series

# High Performance Design Can Customize To Your Environment



### Hassle-Free Mounting

Suitable for Suspension or surface mounting with optional surface mount kit and pendant mount kit (sold separately).

### Design

Low profile design allows fixture placement near the ceiling for maximum space utilization

### Housing

Rigid, low-profile forged aluminum housing. IP65 rated.

### Sensor Capabilities

Optional Plug-in On/Off, Bi-Level Dimming, with daylight sensor. Control configurations by remote control.

### MVD/HV Driver

Two Driver types 120-277V for MVD and 347-480V with 0-10V for HVD Dimming.

### Wide Selection

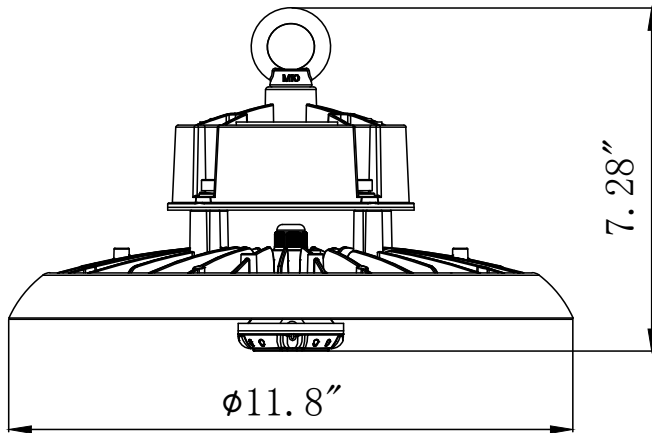
Range of various watts 100-240W, having over 32,400 lumens at highest Wattage.

## UFO2 Wattage Comparison

	GlobalLux LIGHTING	Conventional HID	Conventional Fluorescent
Warehouses, manufacturing facilities, airports, sports complex UFO2-240-MVD-850	240W 32,400 Lumens	1000W	6 Lamps T8 384W
Warehouses, gymnasiums, showrooms, garages UFO2-200-MVD-850	200W 27,000 Lumens	800W	6 Lamps T8 324W
Warehouses, manufacturing facilities, garages, gymnasiums UFO2-150-MVD-850	150W 20,200 Lumens	400W	6 Lamps T8 192W
Warehouses, garages UFO2-100-MVD-850	100W 13,500 Lumens	250W	4 Lamps T8 128W

# Ordering Information

## Dimensions



### UFO2 Series

- 11.8" Housing**  
100W (13,500 Lumens)  
150W (20,200 Lumens)
- 14.17" Housing**  
200W (27,000 Lumens)  
240W (32,400 Lumens)

- Rated Life** 60,000 hours
- Limited Warranty** 5 years
- Efficacy** up to 135 LPW
- Continuous Dimming**



### Quick Ship/ DLC Listed

- UFO2-100-MVD-850
- UFO2-150-MVD-850
- UFO2-200-MVD-850
- UFO2-240-MVD-850

## Specification Features



### Construction

Rigid, die-cast aluminum housing. Precision-engineered and manufactured optics to optimize light delivery to the working plane. Convenient mounting options and bracket for controls integration and multiple connection options. Housing features radiator slots for heat dissipation and low temperature LED operation.

### Qualifications

All luminaires are built to UL 1598 and 2108 standards. Wet location labeling is standard. Emergency equipped fixtures labeled UL924. Adheres to LM70, LM80 and TM21 industry standards. DesignLights Consortium® (DLC) DLC qualified product. Not all product variations listed are DLC qualified. Please visit the DLC Qualified Products List at [www.designlights.org/QPL](http://www.designlights.org/QPL) to confirm which models are qualified.

### Electrical

Equipped standard with a 0-10V continuous dimming driver that works with any standard 0-10V control/dimmer. Long-Life LED's 60,000 hours at L80 with projected life over 100,000 hours for reduced life cycle maintenance costs.

### Installation

Luminaire can be ceiling hung or suspended mounted.

### Warranty

5-year limited warranty. See complete warranty for terms and exclusions.

### Options

Optional plug-in On/Off or Bi-Level Motion sensor and reflectors.

## Ordering Information

Example: UFO2-150-MVD-850

UFO2	150	MVD	8	50	UFO-MOSB
<b>Series</b> UFO2 UFO LED High Bay	<b>Rated Wattage</b> <b>11.8" Housing</b> 100- 100W (13,500 Lumens) <sup>2</sup> 150- 150W (20,200 Lumens) <sup>2</sup> <b>14.17" Housing</b> 200- 200W (27,000 Lumens) <sup>1</sup> 240- 240W (32,400 Lumens) <sup>1</sup>	<b>Driver Type</b> MVD- 120-277V; 0-10V Dimming <sup>2</sup> HVD-347-480V,0-10V Dimming <sup>1</sup>	<b>CRI</b> 8 80 CRI <sup>2</sup>	<b>Color Temp</b> 40 4000K <sup>1</sup> 50 5000K <sup>2</sup>	<b>Sensor</b> UFO-MOSB-Fixture Mounted Bi-Level Microwave Sensor, with daylight sensor.
		<b>Emergency Backup</b> EML-30-UFO- 30W Remote Mounted Battery Backup for UFO2 Series	<b>Accessories</b> SMK-UFO2-100/150- Surface Mount Kit for UFO High Bay		

Specifications and Dimensions subject to change without notice

# Adders Options & Accessories



## Plug-in Microwave Bi-Level Fixture Mount, with Daylight Sensor

An IP65 and remote capable part of the Globalux family of Intelligent sensors that dims the fixture to either 10,20,30, or 50% of full light output for safety and code compliance, and automatically switches to full illumination when the space is occupied.



## Surface Mount Kit

Surface mount kit for UFO series High Bays

### High Voltage

**HVD**

347-480V, 0-10V  
Dimming

### Voltage

**MVD**

120-277V; 0-10V Dimming

### Mounting Accessories

**UFO-SMK**

UFO Surface Mount Kit

### Motions Sensors

**UFO-MOSB**

Plug-in Fixture Mounted Mic. Sensor Bi-Level with daylight sensor.

### Emergency Battery Backup

**EML-30-UFO**

30W Remote Mounted Battery Backup for UFO2 Series.