



CCT Adjustable Vaportight LED Strip  
LVTS Series

# High Performance Design Can Customize To Your Environment

## Battery Backup

Battery backup available for emergency egress applications.

## High Efficacy LEDs

Performance ranges up to 100 LPW. Long-life 60,000 hour LED's at L80 with projected life over 100,000 hour at L70 hours for reliable performance and minimal maintenance.

## Lens

High impact Frosted polycarbonate Lens provides uniform appearance without LED pixelation.

## CCT Switch

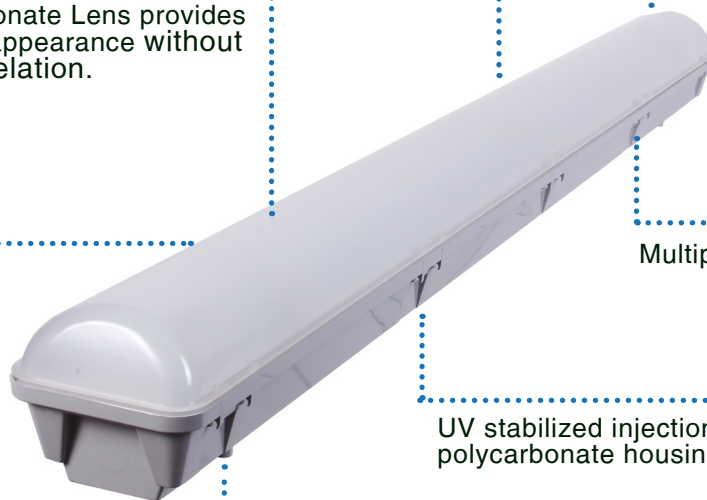
CCT Switch technology can accommodate multiple color temperatures, from the warmest to the coolest tones of white. LVTS color temperature can be adjusted to either 3000K, 4000K, or 5000K.

## Latches

Multiple stainless steel latches.

## Housing

UV stabilized injection molded, impact resistant, polycarbonate housing.



### COLOR TEMPERATURE ADJUSTMENT SETTING

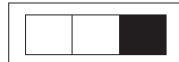
3000K 4000K 5000K



3000K 4000K 5000K



3000K 4000K 5000K



## Hassle-Free Mounting

Quick mounting clips included. Suitable for suspension or surface mounting.

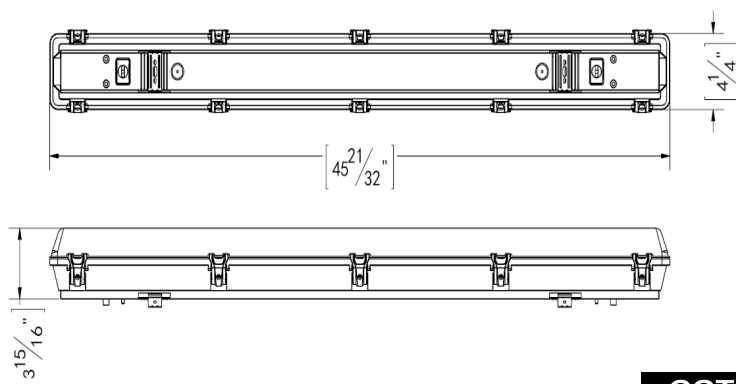


## LVTS Wattage Comparison

	GlobalLux LIGHTING	Conventional Fluorescent
Parking structures, airports, tunnels, stairwell, car wash operations	55W 7,150 Lumens	4 Lamps T8 128W
Parking structures, airports, tunnels, stairwell, car wash operations	45W 5,850 Lumens	3 Lamps T8 96W-104W
Parking structures, airports, tunnels, stairwell, car wash operations	34W 4,420 Lumens	2 Lamps T8 64W

# Ordering Information

## Dimensions



### LVTS Series

- 48" Housing**  
34W (4,420 Lumens)
- 45W (5,850 Lumens)
- 96" Housing**  
55W (7,150 Lumens)

## Specification Features



### Construction

UV stabilized, injection molded, impact resistant, polycarbonate housing. 20 gauge steel channel cover, lens design and materials provide uniform appearance without pixelation.

### Certification

All luminaires are built to UL 1598 and 2108 standards, and bear appropriate ETL labels. Wet location labeling is standard. Emergency equipped fixtures labeled UL924. Adheres to LM70, LM80, and TM21 industry standards. DesignLights Consortium® (DLC) DLC qualified product. Not all models of this product may be DLC qualified. Please check the DLC Qualified Products List at [www.designlights.org/QPL](http://www.designlights.org/QPL) to confirm which models are qualified.

### Warranty

5-year Limited Warranty. See warranty documentation for more information.

### Electrical

Equipped standard with 0-10V continuous dimming driver that works with any standard 0-10V control/dimmer. Long-Life LED's 60,000 hours at L80 with projected life over 100,000 hours for reduced life cycle maintenance costs Luminaire can be ceiling or suspend mounted. Power connection is easily accommodated through pre-drilled holes at each end, watertight plugs ship standard on each end. CCT switch to adjust from 3000K, 4000K, or 5000K.

### Installation

Quick mounting clips included. Suitable for suspension or surface mounting.

### Options

Optional On/Off Motion Sensor, high voltage transformer, emergency battery backups, whips and cords.

- Rated Life 60,000 hours
- Limited Warranty 5 years
- Efficacy up to 130 LPW
- Continuous Dimming



- Quick Ship
- \*Available first quarter of 2020

- LVTS-34-MVD-830/40/50
- LVTS-45-MVD-830/40/50

## Ordering Information

Example: LVTS-45-MVD-830/40/50-OS

LVTS	45	MVD	8	30/40/50
<b>Series</b> LVTS CCT Adjustable Vaportight LED Strip	<b>Rated Wattage</b> <b>48" Housing</b> 34- 34W (4,420 Lumens) <sup>2</sup> 45- 45W (5,850 Lumens) <sup>2</sup> <b>96" Housing</b> 8-55- 55W (7,150 Lumens) <sup>2</sup>	<b>Driver Type</b> MV- 120-277V <sup>1</sup> MVD- 120-277V; 0-10V Dimming <sup>2</sup> HVD-347-480V,0-10V Dimming <sup>1</sup> HV-347-480V <sup>1</sup>	<b>CRI</b> 8 80+ CRI	<b>Color Temp</b> 30/40/50 3000K, 4000K 5000 K <sup>2</sup> Adjustable Switch
<b>Options</b>				
		<b>Emergency Backup</b> EML8 800lm EML16 1600lm	<b>Controls</b> OS- Fixture Mounted Occupancy Sensor, On/Off MOS- Integral Microwave Sensor, On/Off MOSB-Integral Bi-Level Microwave Sensor MOSB-FM- Microwave Bi-Level Sensor Fixture mount	<b>Accessories</b> FW3 6' 3 Wire Fixture Whip FW4 6' 4 Wire Fixture Whip

Specifications and Dimensions subject to change without notice

<sup>1</sup> Made to order items. Minimum 90 day lead time. Minimum 500 order quantity.  
<sup>2</sup> DLC Listed

# Adders Options & Accessories



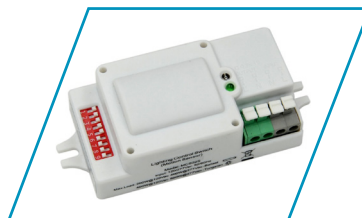
## Fixture Mounted Occupancy, On/Off

An economical fixture mounted sensor utilizing passive infrared technology turns the fixture On/Off.



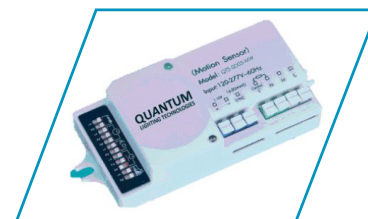
## Microwave Bi-Level Sensor Fixture Mount

An IP65 and remote capable part of the Globalux family of Intelligent sensors that dims the fixture to either 10,20,30, or 50% of full light output for safety and code compliance, and automatically switches to full illumination when the space is occupied.



## Integral Microwave Sensor, On/Off

An economical fixture mounted sensor utilizing passive infrared technology turns the fixture On/Off.



## Integral Bi-Level Microwave Sensor

Part of the Globalux family of Intelligent sensors that dims the fixture to either 10,20,30, or 50% of full light output for safety and code compliance, and automatically switches to full illumination when the space is occupied.



## Emergency Battery

The emergency battery back-up provides 90 minutes of power to your fixture in the event of an emergency.



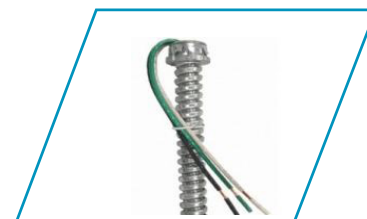
## High Voltage Transformers

High voltage transformers allow the fixture to receive a higher power input of 347V-480V.



## Cords & Plug Option

Standard 6ft cord with custom lengths and plugs available for wiring fixture.



## Fixture Whips

Armored cable fixture whips used for lighting and power distribution.

### Emergency Battery Back-up

<b>EML8</b>	800 Lumen Emergency Battery
<b>EML16</b>	1600 Lumen Emergency Battery

### Motions Sensors

<b>OS</b>	Fixture Mounted Occupancy Sensor
<b>MOS</b>	Integral Mic. Sensor On/Off
<b>MOSB</b>	Integral Mic. Sensor Bi-Level
<b>MOSB-FM</b>	Fixture Mounted Mic. Sensor Bi-Level

### Cords, Plugs and Whips

<b>FW3</b>	3FT Flex 18/4
<b>FW4</b>	4FT Flex 18/4

<b>MV</b>	120-277V
<b>MVD</b>	120-277V; 0-10V Dimming
<b>HVD</b>	347-480V; 0-10V Dimming
<b>HV</b>	347-480V