

PROJECT	NOTES	TYPE	DATE	CAT. No.
---------	-------	------	------	----------



## LGN

### LED Goose Neck (Special Order)

The LGN Series LED Gooseneck couple rustic style with modern LED technology. This timeless classic was frequently used on barns, warehouses, and industrial complexes during the early 20th century and is now used by top designers for residential indoor and outdoor lighting, commercial lighting and restaurant lighting. Swivel located on top of the shade will enable you to angle the fixture up and down, to optimize the light spread on the wanted area, all while remaining highly efficient

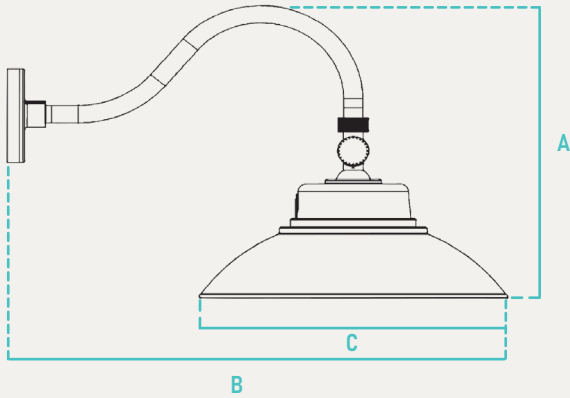


INPUT VOLTAGE	120-277V
INPUT FREQUENCY	50/60 Hz
RATED WATTAGE	See Performance Data
DELIVERED LUMENS	See Performance Data
EFFICACY	133 LPW
CRI	80+, R9 > 0
AVAILABLE CCT	4000K
LENS TYPE	Glass

RATED LIFE	60,000 hours
L70	> 72,000 hours or > 45,000
POWER FACTOR	>0.99
THD	<20%
DIMMING	0-10V Dimming
OPERATING TEMP.	-18°C to 40°C
BEAM ANGLE	N/A

#### ORDER INFO / EXAMPLE: LGN-34-MVD-830/40/50

SERIES	DISTRIBUTION	RATED WATTAGE	DRIVER TYPE	COLOR TEMP	FINISH	OPTIONS
LGN	UD	34	MVD	MCT	BL	
LGN LED Goose Neck	D- Down Only UD- Up and Down	34- 34W (4,550 Lumens)	MVD- 120-277V; 0-10V Dimming	MCT- 3000K, 4000K, 5000K CCT Selectable, 80 CRI	BL- Black WH- White BR- Bronze	P- Photocell



### PERFORMANCE DATA

FORM FACTOR	KELVIN	RATED WATTAGE	DELIVERED LUMENS	EFFICACY (LM/W)
LGN-34	4K	34W	4,550	133

### QUICK SHIP

While supplies last

### ADDITIONAL IMAGES



	A	B	C	Case QTY
LGN	14.5" H	23.14" W	14" E	4

#### CONSTRUCTION

Rugged die cast aluminum housing withstands outdoor environments. Outer surface treated with durable power coating to provide resistant to corrosion, rust, weathering, and or degradation.

#### ELECTRICAL

Equipped standard with fixed output, 120-277V driver operating at 60Hz. Long Life LED's, at L80 with projected life over 60,000 hours for reduced life cycle maintenance costs.

#### QUALIFICATIONS

All luminaires are built to UL 1598 and 2108 standards, and bear appropriate ETL labels. Damp location labeling is standard. Emergency equipped fixtures labeled UL924. Adheres to LM70, LM80, and TM21 industry standards. ENERGY STAR® certified product (for 3000K only).Dedicated 120V Models are FCC Title 47 CFR, Part 15, Class B for residential and commercial applications.

#### INSTALLATION

Designed for mounting on 4" electrical J-Box.

#### WARRANTY

3-year Limited Warranty. See warranty documentation for more info.

### COMPATIBLE JUNCTION BOXES



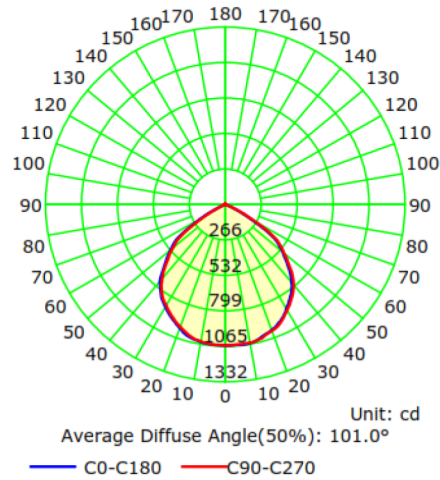
4" PVC	4" Octagon	4" PVC Ceiling Box	3-1/2" Octagon	4" Round Pancake	4" Octagon / V Bracket
--------	------------	--------------------	----------------	------------------	------------------------

## PHOTOMETRIC DATA

LOC-D-12-120-MCT

ZONE	LUMENS	% LAMP LUMENS
<b>FORWARD LIGHT</b>	<b>2028</b>	<b>48.8</b>
FL ( 0°-30°)	703	16.9
FM (30°-60°)	1203	29.0
FH (60°-80°)	121	2.9
FVH (80°-90°)	2	0.0
<b>BACK LIGHT</b>	<b>2109</b>	<b>50.8</b>
BL ( 0°-30°)	714	17.2
BM (30°-60°)	1263	30.4
BH (60°-80°)	130	3.1
BVH (80°-90°)	2	0.0
<b>UP LIGHT</b>	<b>17</b>	<b>0.4</b>
UL (90°-100°)	2	0.0
UH (100°-180°)	15	0.4

Polar Candela Curve



### Coefficients Of Utilization - Zonal Cavity Method

Reflectance: Ceiling (cavity)	0.7	0.7	0.5	0.5	0.3	0.7	0.7	0.5	0.5	0.3
Wall	0.5	0.3	0.5	0.3	0.3	0.5	0.3	0.5	0.3	0.3
Reference plane	0.2	0.2	0.2	0.2	0.2	0.2	0.2	0.2	0.2	0.2
Room dimensions	Viewed crosswise					Viewed endwise				
<b>X=2H Y=2H</b>	-1.5	-1.5	-1.5	-1.5	-1.5	-1.5	-1.5	-1.5	-1.5	-1.5
3H	-1.5	-1.5	-1.5	-1.5	-1.5	-1.5	-1.5	-1.5	-1.5	-1.5
4H	-1.5	-1.5	-1.5	-1.5	-1.5	-1.5	-1.5	-1.5	-1.5	-1.5
6H	-1.5	-1.5	-1.5	-1.5	-1.5	-1.5	-1.5	-1.5	-1.5	-1.5
8H	-1.5	-1.5	-1.5	-1.5	-1.5	-1.5	-1.5	-1.5	-1.5	-1.5
12H	-1.5	-1.5	-1.5	-1.5	-1.5	-1.5	-1.5	-1.5	-1.5	-1.5
<b>X=4H Y=2H</b>	-1.5	-1.5	-1.5	-1.5	-1.5	-1.5	-1.5	-1.5	-1.5	-1.5
3H	-1.5	-1.5	-1.5	-1.5	-1.5	-1.5	-1.5	-1.5	-1.5	-1.5
4H	-1.5	-1.5	-1.5	-1.5	-1.5	-1.5	-1.5	-1.5	-1.5	-1.5
6H	-1.5	-1.5	-1.5	-1.5	-1.5	-1.5	-1.5	-1.5	-1.5	-1.5
8H	-1.5	-1.5	-1.5	-1.5	-1.5	-1.5	-1.5	-1.5	-1.5	-1.5
12H	-1.5	-1.5	-1.5	-1.5	-1.5	-1.5	-1.5	-1.5	-1.5	-1.5
<b>X=8H Y=4H</b>	-1.5	-1.5	-1.5	-1.5	-1.5	-1.5	-1.5	-1.5	-1.5	-1.5
6H	-1.5	-1.5	-1.5	-1.5	-1.5	-1.5	-1.5	-1.5	-1.5	-1.5
8H	-1.5	-1.5	-1.5	-1.5	-1.5	-1.5	-1.5	-1.5	-1.5	-1.5
12H	-1.5	-1.5	-1.5	-1.5	-1.5	-1.5	-1.5	-1.5	-1.5	-1.5
<b>X=12H Y=4H</b>	-1.5	-1.5	-1.5	-1.5	-1.5	-1.5	-1.5	-1.5	-1.5	-1.5
6H	-1.5	-1.5	-1.5	-1.5	-1.5	-1.5	-1.5	-1.5	-1.5	-1.5
8H	-1.5	-1.5	-1.5	-1.5	-1.5	-1.5	-1.5	-1.5	-1.5	-1.5

Made to order items. Minimum 90 day lead time. Minimum order quantity may vary please contact sales.

<sup>1</sup> DLC Listed / <sup>2</sup> DLC Premium Listed / <sup>3</sup> Title 24 / <sup>4</sup> JA8 & Title 24 / Typical color consistency. May vary or be changed.

L70 hours calculated based on LED package manufacturer LM80 report and ISTMT report of LED in luminaire. Stated values are for select catalog numbers. Contact Globalux for detailed information. / Actual performance may differ as a result of end-user environment and application. All values are design or typical values, measured under laboratory conditions at 25 °C.