

PROJECT	NOTES	TYPE	DATE	CAT. No.
---------	-------	------	------	----------

FINISH OPTIONS ON PAGE 2



SLP

Surface Mounted Flat Panel

The SLP Series of LED surface mounted flat panel fixtures are cost effective and are an energy-saving replacement for less efficient fluorescent puff fixtures, designed to illuminate the most discriminating office or home. A shallow contemporary opal acrylic diffuser softly and evenly distributes light at comfortable levels.



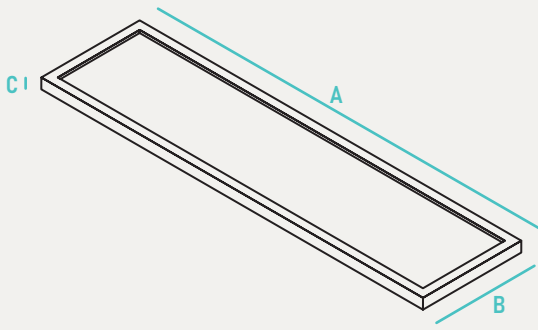
INPUT VOLTAGE	120V
INPUT FREQUENCY	50/60 Hz
RATED WATTAGE	See Performance Data
DELIVERED LUMENS	See Performance Data
EFFICACY	See Performance Data
CRI	80CRI
AVAILABLE CCT	3000K, 4000K, 5000K
LENS TYPE	Acrylic

RATED LIFE	3 yrs (Based on 3hrs a Day)
L70	30000H
POWER FACTOR	>0.9
THD	N/A
DIMMING	Triac (10-100%)
OPERATING TEMP.	-0.4°F - 104°F / -20°C to 45°C
BEAM ANGLE	120°

ORDER INFO / EXAMPLE: SLP-14-40-120D-MCT-BL

QUICK SHIP ITEMS ON PG.2

SERIES	FORM FACTOR	RATED WATTAGE	DRIVER TYPE	COLOR TEMP	FINISH
SLP	14	40	120D	MCT	BL
SLP Surface Mounted Flat Panel	14- 1'x4'	1x4" Housing 40- 40W, 4000 Lumens	120D- 120V Triac Dimmable, 10-100%	MCT- 3000K, 4000K,5000K CCT Selectable; 80CRI	BL- Black WH- White SLV- Silver



	A	B	C	Case QTY
SLP-14	4' L	1' W	3/4" H	1

CONSTRUCTION

Extruded aluminum housing with smooth opalescent acrylic lens. Lens design and materials provide uniform appearance without pixelation.

ELECTRICAL

Equipped standard with 120V Triac dimming driver 10-100%. 5 CCT Selectable switch

QUALIFICATIONS

All luminaires are built to UL 1598 and 2108 standards, and bear appropriate ETL labels. Damp location labeling is standard. Emergency equipped fixtures labeled UL924. Adheres to LM70, LM80 and TM21 industry standards.

INSTALLATION

Luminaire can be installed in a standard square, octagonal and round J-Box

WARRANTY

3-year Limited Warranty. See warranty documentation for more info.

RECOMMENDED DIMMERS

DVCL-153P (Lutron)

PERFORMANCE DATA

FORM FACTOR	KELVIN	RATED WATTAGE	DELIVERED LUMENS	EFFICACY (LM/W)
1'x4'	3K/4K/5K	40W	4000	100

QUICK SHIP

SLP-14-40-120D-MCT-BL	SLP-14-40-120D-MCT-SLV
SLP-14-40-120D-MCT-WH	

ADDITIONAL IMAGES



Made to order items. Minimum 90 day lead time.
 Minimum order quantity may vary please contact sales.
¹ DLC Listed / ² DLC Premium Listed / ³ Title 24 / ⁴ JA8 & Title 24
 Typical color consistency. May vary or be changed. L70 hours calculated based on LED package manufacturer LM80 report and ISTMT report of LED in luminaire. Stated values are for select catalog numbers. Contact GlobaLux for detailed information.
 Actual performance may differ as a result of end-user environment and application. All values are design or typical values, measured under laboratory conditions at 25 °C.

COMPATIBLE JUNCTION BOXES



4" PVC



4" Octagon



4" PVC Ceiling Box



3-1/2" Octagon



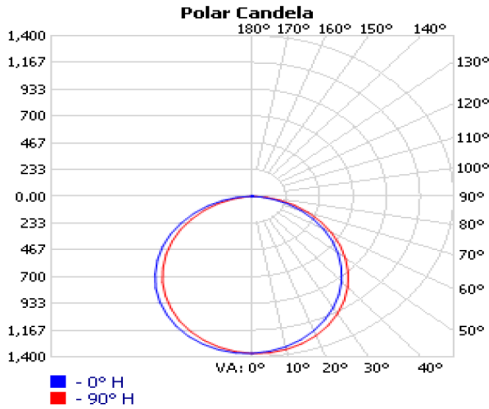
4" Round Pancake



4" Octagon / V Bracket

PHOTOMETRIC DATA

SLP-14



Zonal Lumen Summary

Zone	Lumens	% Lamp	% Luminaire
0-30	1,062.0	106201.5%	26.6%
0-40	1,740.1	174005.8%	43.6%
0-60	3,083.7	308366.4%	77.3%
60-90	885.2	88524.7%	22.2%
70-100	394.3	39425.7%	9.9%
90-120	7.8	784.6%	0.2%
0-90	3,968.9	396891.1%	99.5%
90-180	18.6	1861.5%	0.5%
0-180	3,987.5	398752.6%	100%

Coefficients Of Utilization - Zonal Cavity Method

Effective Floor Cavity Reflectance: 20%

RCC %:	80				70				50				30				10				0	
RW %:	70	50	30	0	70	50	30	0	50	30	20	50	30	20	50	30	20	50	30	20	0	
RCR: 0	4742.62	4742.62	4742.62	4742.62	4630.17	4630.17	4630.17	3968.91	4420.24	4420.24	4420.24	4228.19	4228.19	4228.19	4051.81	4051.81	4051.81	3968.91				
1	4318.61	4122.21	3946.33	3787.91	4207.11	4029.40	3869.21	3329.95	3855.58	3723.51	3602.53	3695.90	3588.17	3488.46	3548.71	3462.12	3381.21	3295.42				
2	3919.53	3582.81	3304.38	3070.32	3811.60	3505.28	3249.18	2786.76	3359.66	3143.98	2957.73	3225.39	3045.19	2886.99	3101.20	2952.24	2819.42	2730.75				
3	3568.78	3139.98	2808.06	2543.53	3466.99	3074.95	2767.14	2359.50	2952.48	2688.67	2471.42	2839.16	2614.38	2425.47	2734.02	2543.95	2381.11	2291.61				
4	3264.20	2777.81	2421.64	2149.57	3169.93	2723.08	2390.45	2024.90	2619.73	2330.34	2101.17	2523.80	2273.09	2070.02	2434.52	2218.49	2039.73	1951.16				
5	2999.43	2479.10	2115.59	1847.31	2913.12	2432.84	2091.27	1759.60	2345.28	2044.22	1813.48	2263.75	1999.19	1791.56	2187.66	1956.06	1770.14	1683.67				
6	2768.44	2230.22	1869.07	1609.96	2689.97	2190.94	1849.74	1546.21	2116.41	1812.24	1585.49	2046.81	1776.22	1569.55	1981.66	1741.58	1553.92	1470.26				
7	2566.09	2020.86	1667.52	1419.92	2495.01	1987.33	1651.91	1372.23	1923.57	1621.56	1401.68	1863.85	1592.30	1389.76	1807.79	1564.09	1378.02	1297.56				
8	2388.06	1843.17	1500.54	1265.19	2323.79	1814.39	1487.77	1228.62	1759.53	1462.86	1251.24	1708.01	1438.80	1242.10	1659.53	1415.52	1233.08	1155.97				
9	2230.73	1691.06	1360.57	1137.38	2172.62	1666.21	1349.98	1108.71	1618.76	1329.30	1126.47	1574.07	1309.27	1119.30	1531.91	1289.86	1112.22	1038.48				
10	2091.04	1559.81	1241.96	1030.44	2038.45	1538.24	1233.09	1007.53	1496.95	1215.73	1021.73	1457.97	1198.89	1016.01	1421.11	1182.53	1010.34	939.89				

Made to order items. Minimum 90 day lead time. Minimum order quantity may vary please contact sales.

¹ DLC Listed / ² DLC Premium Listed / ³ Title 24 / ⁴ JA8 & Title 24 / Typical color consistency. May vary or be changed.

L70 hours calculated based on LED package manufacturer LM80 report and ISTMT report of LED in luminaire. Stated values are for select catalog numbers. Contact Globalux for detailed information. / Actual performance may differ as a result of end-user environment and application. All values are design or typical values, measured under laboratory conditions at 25 °C.