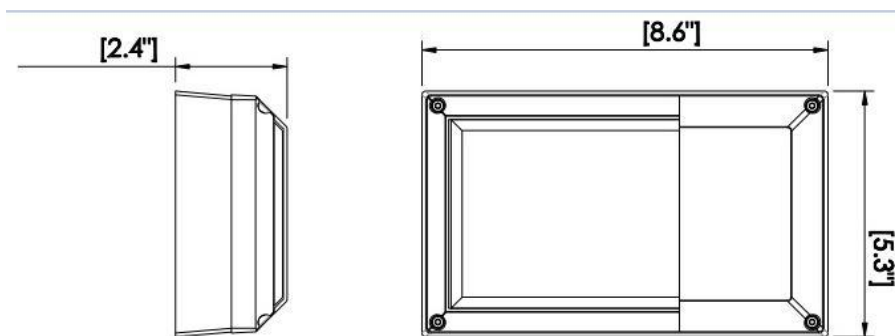


# Ordering Information

## Dimensions



**AWP Series**

9W, 600 Lumens

**Rated Life** 60,000 hours  
**Limited Warranty** 3 years  
**Efficacy** Up to 66 LPW

**Quick Ship**

AWP-9-120-830-BL



## Specification Features

### Construction

Rugged die cast aluminum housing withstands outdoor environments. Outer surface treated with durable power coating to provide resistant to corrosion, rust, weathering, and or degradation. Performance engineered internal heat dissipation provide superior thermal management for LED life and reliability.

### Qualifications

All luminaires are built to UL 1598 and 2108 standards, and bear appropriate ETL labels. Wet location labeling is standard. Emergency equipped fixtures labeled UL924. Adheres to LM70, LM80, and TM21 industry standards. ENERGY STAR® certified product (for 3000K and 4000K only) and Title 24 qualified. Dedicated 120V Models are FCC Title 47 CFR, Part 15, Class B for residential and commercial applications. California Title 24 Compliant, JA8 compliant.

### Electrical

Equipped standard with 120V fixed output driver operating at 60HZ.

### Installation

Designed for mounting on 4" electrical J-Box.

### Warranty

3-year Limited Warranty. See warranty documentation for more information.

## Ordering Information

Example: AWP-9-120-830-BL

AWP	9	120	8	30	BL	
<b>Series</b> AWP Architectural Wall Pack	<b>Rated Wattage</b> 9- 9W, 600 Lumens	<b>Driver Type</b> 120- 120V	<b>CRI</b> 8 80+ CRI	<b>Color Temp</b> 30 3000 Kelvin 50 5000 Kelvin <sup>1</sup>	<b>Color</b> BL-Black	

Specifications and Dimensions subject to change without notice.

<sup>1</sup> Made to order items. Minimum 90 day lead time. Minimum 500 order quantity.