

|         |       |      |      |          |
|---------|-------|------|------|----------|
| PROJECT | NOTES | TYPE | DATE | CAT. No. |
|---------|-------|------|------|----------|

FINISH OPTIONS ON PAGE 2



# SLP

## Surface Mounted Flat Panel

The SLP Series of LED surface mounted flat panel fixtures are cost effective and are an energy-saving replacement for less efficient fluorescent puff fixtures, designed to illuminate the most discriminating office or home. A shallow contemporary opal acrylic diffuser softly and evenly distributes light at comfortable levels.

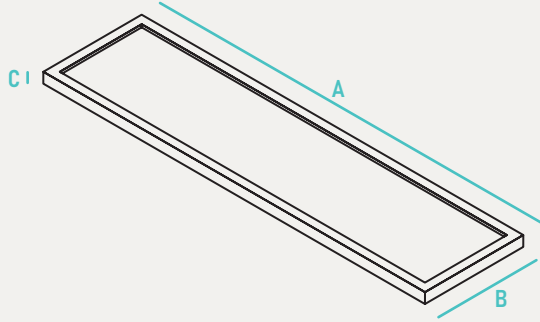


|                  |                      |
|------------------|----------------------|
| INPUT VOLTAGE    | 120V                 |
| INPUT FREQUENCY  | 50/60 Hz             |
| RATED WATTAGE    | See Performance Data |
| DELIVERED LUMENS | See Performance Data |
| EFFICACY         | See Performance Data |
| CRI              | 80CRI                |
| AVAILABLE CCT    | 3000K, 4000K, 5000K  |
| LENS TYPE        | Acrylic              |

|                 |                                |
|-----------------|--------------------------------|
| RATED LIFE      | 3 yrs (Based on 3hrs a Day)    |
| L70             | 30000H                         |
| POWER FACTOR    | >0.9                           |
| THD             | N/A                            |
| DIMMING         | Triac (10-100%)                |
| OPERATING TEMP. | -0.4°F - 104°F / -20°C to 45°C |
| BEAM ANGLE      | 120°                           |

### ORDER INFO / EXAMPLE: SLP-14-40-120D-MCT-BL

| SERIES                               | FORM FACTOR                         | RATED WATTAGE  | DRIVER TYPE                           | COLOR TEMP                                       | FINISH                               |
|--------------------------------------|-------------------------------------|--|---------------------------------------|--|--------------------------------------|
| SLP                                  | 14                                  | 40   | 120D                                  | MCT  | BL                                   |
| SLP<br>Surface Mounted<br>Flat Panel | 14- 1'x4'<br>22- 2'x2'<br>24- 2'x4' | 1x4" Housing<br>40- 40W, 4000 Lumens<br>2x2" Housing<br>40- 40W, 4000 Lumens<br>2x4" Housing<br>50- 50W, 5000 Lumens | 120D- 120V Triac<br>Dimmable, 10-100% | MCT- 3000K, 4000K,5000K<br>CCT Selectable; 80CRI | BL- Black<br>WH- White<br>SL- Silver |



## PERFORMANCE DATA

| FORM FACTOR | KELVIN   | RATED WATTAGE | DELIVERED LUMENS | EFFICACY (LM/W) |
|-------------|----------|---------------|------------------|-----------------|
| 1'x4'       | 3K/4K/5K | 40W           | 4000             | 100             |
| 2'x2'       | 3K/4K/5K | 40W           | 4000             | 100             |
| 2'x4'       | 3K/4K/5K | 50W           | 5000             | 100             |

|        | A    | B    | C      | Case QTY |
|--------|------|------|--------|----------|
| SLP-14 | 4' L | 1' W | 3/4" H | 1        |
| SLP-22 | 2' L | 2' W | 3/4" H | 1        |
| SLP-24 | 4" L | 2" W | 3/4" H | 1        |

| QUICK SHIP            |                        |
|-----------------------|------------------------|
| SLP-14-40-120D-MCT-BL | SLP-14-40-120D-MCT-SLV |
| SLP-14-40-120D-MCT-WH |                        |

## CONSTRUCTION

Extruded aluminum housing with smooth opalescent acrylic lens. Lens design and materials provide uniform appearance without pixelation.

## ELECTRICAL

Equipped standard with 120V Triac dimming driver 10-100%. 5 CCT Selectable switch

## QUALIFICATIONS

All luminaires are built to UL 1598 and 2108 standards, and bear appropriate ETL labels. Wet location labeling is standard. Emergency equipped fixtures labeled UL924. Suitable for closets according to NEC Section 410.8 & 410.16. Adheres to LM70, LM80 and TM21 industry standards.

## INSTALLATION

Luminaire can be installed in a standard square, octagonal and round J-Box

## WARRANTY

5-year Limited Warranty. See warranty documentation for more info.

## ADDITIONAL IMAGES



Made to order items. Minimum 90 day lead time.  
 Minimum order quantity may vary please contact sales.  
<sup>1</sup> DLC Listed / <sup>2</sup> DLC Premium Listed / <sup>3</sup> Title 24 / <sup>4</sup> JA8 & Title 24  
 Typical color consistency. May vary or be changed. L70 hours calculated based on LED package manufacturer LM80 report and ISTMT report of LED in luminaire. Stated values are for select catalog numbers. Contact Globalux for detailed information.  
 Actual performance may differ as a result of end-user environment and application. All values are design or typical values, measured under laboratory conditions at 25 °C.

## RECOMMENDED DIMMERS

DVCL-153P (Lutron)

## COMPATIBLE JUNCTION BOXES



4" PVC

4" Octagon

4" PVC Ceiling Box

3-1/2" Octagon

4" Round Pancake

4" Octagon / V Bracket