

PROJECT	NOTES	TYPE	DATE	CAT. No.
---------	-------	------	------	----------



LOC

LED Outdoor Cylinder

The LOC Series is designed to mount on walls, enhancing exterior spaces while ensuring safety and security. Crafted from robust die-cast aluminum housing with a tempered glass lens, these fixtures are ideal for hallways, garages, patios, and porches.

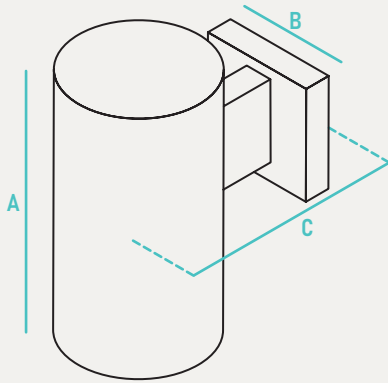


INPUT VOLTAGE	120V
INPUT FREQUENCY	60 Hz
RATED WATTAGE	See Performance Data
DELIVERED LUMENS	See Performance Data
EFFICACY	92 LPW (typ.)
CRI	80
AVAILABLE CCT	3000K, 4000K, 5000K
LENS TYPE	Glass

RATED LIFE	50,000hrs (Based on 3hrs a Day)
L70	>50,000hrs
POWER FACTOR	>0.9
THD	<20%
DIMMING	N/A
OPERATING TEMP.	-4°F - 113°F / -20°C to 45°C
BEAM ANGLE	60°

ORDER INFO / EXAMPLE: LOC-UD-24-120-MCT-BL

SERIES	DISTRIBUTION	RATED WATTAGE	DRIVER TYPE	COLOR TEMP	FINISH	OPTIONS
LOC	UD	24	120	MCT	BL	
LOC LED Outdoor Cylinder	D- Down Only UD- Up and Down	Down Only 12- 12W, 1100 Lumens Up and Down 24- 24W, 2200 Lumens	120- 120V	MCT- 3000K, 4000K, 5000K CCT Selectable, 80 CRI	BL- Black BN- Brushed Nickel	EML8- 8W Internal Battery Backup P- Photocell



	A	B	C	Case QTY
LOC-D	7.9" H	4.5" W	7" E	4
LOC-UD	12" H	4.5" W	7" E	4

CONSTRUCTION

Rugged die cast aluminum housing withstands outdoor environments. Outer surface treated with durable power coating to provide resistant to corrosion, rust, weathering, and or degradation. Performance engineered internal heat dissipation fins provide superior thermal management for LED life and reliability. Clear Tempered glass lens.

ELECTRICAL

Equipped standard with fixed output driver. Long Life LED's, 60,000 hours at L80 with projected life over 100,000 hours for reduced life cycle maintenance costs. Three LED color (Kelvin) temperature options and > 80 CRI.

QUALIFICATIONS

All luminaires are built to UL 1598 and 2108 standards, and bear appropriate ETL labels. Wet location labeling is standard. Emergency equipped fixtures labeled UL924. Adheres to LM70, LM80, and TM21 industry standards. Dedicated 120V Models are FCC Title 47 CFR, Part 15, Class B for residential and commercial applications.

INSTALLATION

Designed for mounting on 4" electrical J-Box.

WARRANTY

3-year Limited Warranty. See warranty documentation for more info.

PERFORMANCE DATA

FORM FACTOR	KELVIN	RATED WATTAGE	DELIVERED LUMENS	EFFICACY (LM/W)
Down Only	3K/4K/5K	12W	600	50
Up & Down	3K/4K/5K	24W	1200	50

QUICK SHIP

LOC-D-12-120-MCT-BL	LOC-D-12-120-MCT-BN
LOC-UD-24-120-MCT-BL	LOC-UD-24-120-MCT-BN

ADDITIONAL IMAGES



COMPATIBLE JUNCTION BOXES



4" PVC

4" Octagon

4" PVC Ceiling Box

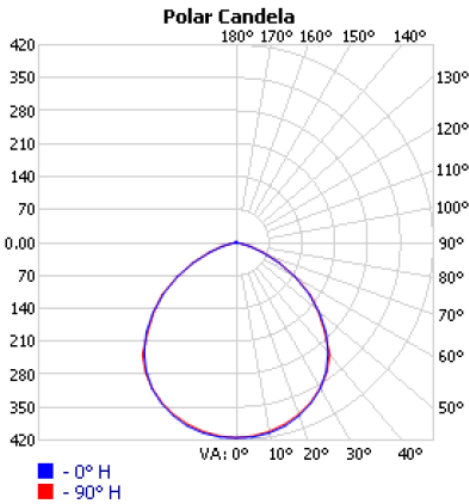
3-1/2" Octagon

4" Round Pancake

4" Octagon / V Bracket

PHOTOMETRIC DATA

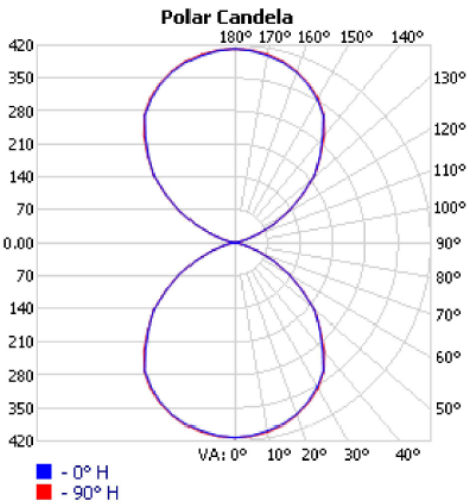
LOC-D-12-120-MCT



Zonal Lumen Summary

Zone	Lumens	% Lamp	% Luminaire
0-30	325.4	30.9%	30.9%
0-40	534.5	50.7%	50.8%
0-60	909.8	86.3%	86.4%
60-90	138.8	13.2%	13.2%
70-100	38.9	3.7%	3.7%
90-120	0.9	0.1%	0.1%
0-90	1,048.5	99.4%	99.6%
90-180	4.4	0.4%	0.4%
0-180	1,053.0	99.9%	100%

LOC-UD-24-120-MCT



Zonal Lumen Summary

Zone	Lumens	% Lamp	% Luminaire
0-30	322.6	16%	16%
0-40	527.4	26.1%	26.1%
0-60	885.4	43.8%	43.9%
60-90	124.0	6.1%	6.1%
70-100	35.6	1.8%	1.8%
90-120	124.0	6.1%	6.1%
0-90	1,009.4	49.9%	50%
90-180	1,009.5	49.9%	50%
0-180	2,018.9	99.9%	100%

Made to order items. Minimum 90 day lead time. Minimum order quantity may vary please contact sales.

¹ DLC Listed / ² DLC Premium Listed / ³ Title 24 / ⁴ JA8 & Title 24 / Typical color consistency. May vary or be changed.

L70 hours calculated based on LED package manufacturer LM80 report and ISTMT report of LED in luminaire. Stated values are for select catalog numbers. Contact Globalux for detailed information. / Actual performance may differ as a result of end-user environment and application. All values are design or typical values, measured under laboratory conditions at 25 °C.