

PROJECT	NOTES	TYPE	DATE	CAT. No.
---------	-------	------	------	----------



DOW

Decorative Outdoor Pocket Lantern

The DOW LED Outdoor Pocket Lantern seamlessly blends form and function. Crafted with a weather-resistant aluminum housing, it houses high-performance LEDs that emit a uniform, soft glow through a frosted glass diffuser. Perfect for both security and general lighting, this lantern adds a touch of elegance to residential, commercial, and hospitality spaces. Illuminate your outdoor areas with style and practicality!



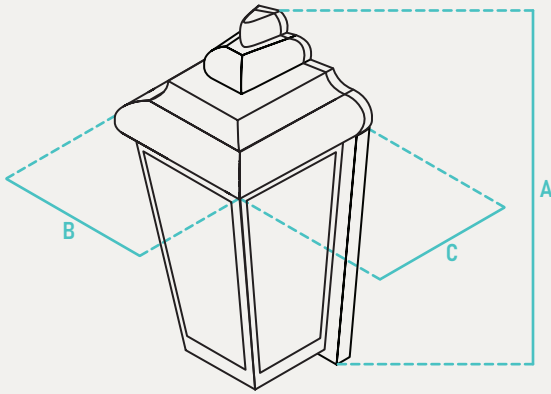
INPUT VOLTAGE	120V
INPUT FREQUENCY	60 Hz
RATED WATTAGE	See Performance Data
DELIVERED LUMENS	See Performance Data
EFFICACY	60 LPW (typ.)
CRI	80
AVAILABLE CCT	3000K, 3500K, 4000K
LENS TYPE	Glass

RATED LIFE	30,000hrs (Based on 3hrs a Day)
L70	>50,000hrs
POWER FACTOR	>0.9
THD	45%
DIMMING	N/A
OPERATING TEMP.	-4°F - 113°F / -20°C to 45°C
BEAM ANGLE	N/A

ORDER INFO / EXAMPLE: DOW-12-120-MCT-BL

QUICK SHIP ITEMS ON PG.2

SERIES	RATED WATTAGE	DRIVER TYPE	COLOR TEMP	FINISH	OPTIONS
DOW	12	120	MCT	BL	P
DOW Decorative Outdoor Pocket Lantern	12- 12W, 720 Lumens	120- 120V	MCT- 3000K, 3500K, 4000K CCT Selectable; 80CRI	BL- Black	P- Photocell



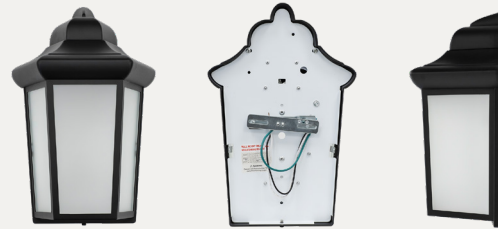
PERFORMANCE DATA

FORM FACTOR	KELVIN	RATED WATTAGE	DELIVERED LUMENS	EFFICACY (LM/W)
12W	3K/35K/4K	12W	720	60

QUICK SHIP

DOW-12-120-MCT-BL

ADDITIONAL IMAGES



	A	B	C	Case QTY
DOW	12.3" H	8.3" W	5.5" E	6

CONSTRUCTION

Rugged die cast aluminum housing withstands outdoor environments. Outer surface treated with durable power coating to provide resistant to corrosion, rust, weathering, and or degradation. Performance engineered internal heat dissipation provide superior thermal management for LED life and reliability.

ELECTRICAL

Equipped standard with 120V fixed output driver operating at 60HZ.

QUALIFICATIONS

All luminaires are built to UL 1598 and 2108 standards, and bear appropriate ETL labels. Wet location labeling is standard. Emergency equipped fixtures labeled UL924. Adheres to LM70, LM80, and TM21 industry standards. Dedicated 120V Models are FCC Title 47 CFR, Part 15, Class B for residential and commercial applications.

INSTALLATION

Designed for mounting on 4" electrical J-Box.

WARRANTY

3-year Limited Warranty. See warranty documentation for more info.

COMPATIBLE JUNCTION BOXES



4" PVC



4" Octagon



4" PVC Ceiling Box



3-1/2" Octagon



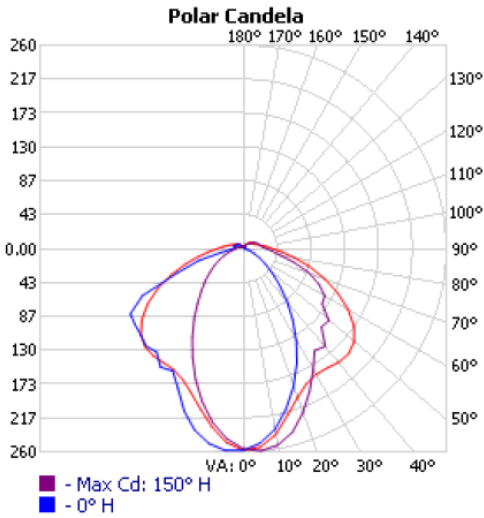
4" Round Pancake



4" Octagon / V Bracket

PHOTOMETRIC DATA

DOW-12-120-MCT-BL



Zonal Lumen Summary

Zone	Lumens	% Lamp	% Luminaire
0-30	168.4	22.9%	22.8%
0-40	265.8	36.1%	36.1%
0-60	481.6	65.4%	65.3%
60-90	185.0	25.1%	25.1%
70-100	116.4	15.8%	15.8%
90-120	50.1	6.8%	6.8%
0-90	666.6	90.5%	90.4%
90-180	70.5	9.6%	9.6%
0-180	737.1	100.1%	100%

Made to order items. Minimum 90 day lead time. Minimum order quantity may vary please contact sales.

¹ DLC Listed / ² DLC Premium Listed / ³ Title 24 / ⁴ JA8 & Title 24 / Typical color consistency. May vary or be changed.

L70 hours calculated based on LED package manufacturer LM80 report and ISTMT report of LED in luminaire. Stated values are for select catalog numbers. Contact Globalux for detailed information. / Actual performance may differ as a result of end-user environment and application. All values are design or typical values, measured under laboratory conditions at 25 °C.