

PROJECT	NOTES	TYPE	DATE	CAT. No.
---------	-------	------	------	----------

FINISH OPTIONS ON PAGE 3

DCR

LED Ringed Decorative Ceiling Mount



This DCR series provides customers with a high quality luminaire utilizing the latest LED, solid state lighting and electronic driver technology for optimal performance and maximized energy efficiency. With a traditional opal white lens, the DCR series produces even and uniform light distribution and is an ideal choice for offices, corridors, stairways, bedrooms, closets, and foyer applications in both residential and commercial applications where customers are replacing incandescent, circline or compact fluorescent lamps. Capable of adjusting kelvin to five temperatures and can be ceiling or wall mounted.



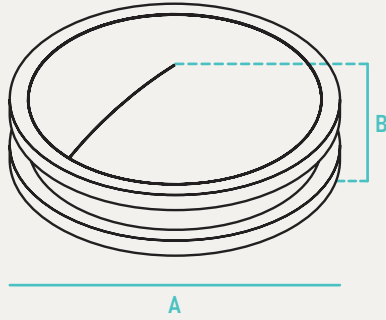
INPUT VOLTAGE	120V
INPUT FREQUENCY	60 Hz
RATED WATTAGE	See Performance Data
DELIVERED LUMENS	See Performance Data
EFFICACY	70 LPW (typ.)
CRI	90
AVAILABLE CCT	2700K, 3000K, 3500K, 4000K, 5000K
LENS TYPE	Plastic

RATED LIFE	20,000hrs (Based on 3hrs a Day)
L70	>50,000hrs
POWER FACTOR	0.9
THD	N/A
DIMMING	Triac Dimming
OPERATING TEMP.	-4°F - 113°F / -20°C to 45°C
BEAM ANGLE	N/A

ORDER INFO / EXAMPLE: DCR-14-26-120D-927/50-BL

QUICK SHIP ITEMS ON PG.2

SERIES	DIAMETER	RATED WATTAGE	DRIVER TYPE	COLOR TEMP	FINISH
DCR	14	26	120D	927/50	BL
DCR LED Ringed Decorative Ceiling Mount	12-12" 14-14" 16-16"	12" Pan 17- 17W, 1190 Lumens 14" Pan 26- 26W, 1820 Lumens 16" Pan 34- 34W, 2380 Lumens	120D- 120V Triac Dimming	927/50- 2700K, 3000K, 3500K, 4000K, 5000K CCT Selectable; 90CRI	BL- Black BN- Brushed Nickel 16" Pan NS- Nickel Satin



PERFORMANCE DATA				
FORM FACTOR	KELVIN	RATED WATTAGE	DELIVERED LUMENS	EFFICACY (LM/W)
12"	27K-5K	17W	1190	70
14"	27K-5K	26W	1820	70
16"	27K-5K	34W	2380	70

	A	B	Case QTY
DCR-12	12" Dia.	3.4" D	4
DCR-14	14" Dia.	3.4" D	4
DCR-16	16" Dia.	3.4" D	4

QUICK SHIP	
DCR-14-26-120D-927/50-BL ⁴	DCR-14-26-120D-927/50-BN ⁴
DCR-16-34-120D-927/50-NS ⁴	

CONSTRUCTION

Contemporary style fixture, twin steel rings surround a milk white acrylic diffuser providing widespread and even illumination.

ELECTRICAL

Equipped standard with 120V, 10-100% dimming driver.

QUALIFICATIONS

All luminaires are built to UL 1598 and 2108 standards, and bear appropriate ETL labels. Damp location labeling is standard. Emergency equipped fixtures labeled UL924. Adheres to LM70, LM80 and TM21 industry standards. Dedicated 120V Models are FCC Title 47 CFR, Part 15, Class B for residential and commercial applications. JA8 and Title 24 approved.

INSTALLATION

Designed for mounting on 4" electrical J-Box.

WARRANTY

3-year Limited Warranty. See warranty documentation for more info.

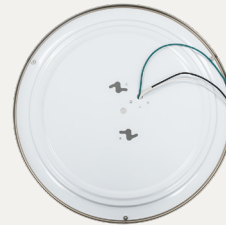
ADDITIONAL IMAGES



BL- Black

BN- Brushed Nickel

(16") NS- Nickel Satin



RECOMMENDED DIMMERS
DVCL-153P (Lutron)

COMPATIBLE JUNCTION BOX

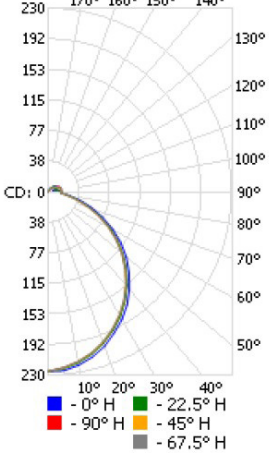


4" PVC	4" Octagon	4" PVC Ceiling Box	3-1/2" Octagon	4" Round Pancake	4" Octagon / V Bracket
--------	------------	--------------------	----------------	------------------	------------------------

PHOTOMETRIC DATA

DCR-14-26-120D-927/50

Polar Candela Distribution



Zonal Lumen Summary

Zone	Lumens	% Lamp	% Luminaire
0-30	174.7	22.9%	23%
0-40	287.3	37.7%	37.8%
0-60	516.2	67.8%	67.9%
60-90	178.7	23.5%	23.5%
70-100	108.4	14.2%	14.2%
90-120	45.0	5.9%	5.9%
0-90	694.9	91.3%	91.3%
90-180	65.8	8.6%	8.7%
0-180	760.7	99.9%	100%

Coefficients Of Utilization - Zonal Cavity Method

RCC %:	Effective Floor Cavity Reflectance: 20%																									
	80				70				50				30				10				0					
RW %:	70	50	30	0	70	50	30	0	50	30	20	50	30	20	50	30	20	50	30	20	50	30	20	50	30	20
RCR: 0	1.17	1.17	1.17	1.17	1.13	1.13	1.13	.91	1.06	1.06	1.06	1.00	1.00	1.00	.94	.94	.94	.91	.91	.91	.87	.87	.87	.84	.84	.84
1	1.05	1.00	.96	.91	1.02	.97	.93	.75	.91	.88	.85	.86	.83	.80	.81	.79	.77	.74	.72	.70	.67	.65	.63	.61	.59	.57
2	.95	.87	.80	.73	.92	.84	.77	.62	.79	.74	.69	.74	.70	.66	.70	.67	.63	.61	.58	.55	.53	.51	.49	.47	.45	.43
3	.87	.76	.67	.61	.83	.74	.66	.52	.69	.63	.57	.65	.60	.55	.62	.57	.53	.51	.48	.45	.43	.41	.39	.37	.35	.33
4	.79	.67	.58	.51	.76	.65	.57	.45	.61	.54	.48	.58	.52	.47	.55	.50	.45	.43	.40	.37	.35	.33	.31	.29	.27	.25
5	.73	.60	.50	.44	.70	.58	.49	.39	.55	.47	.42	.52	.46	.40	.49	.44	.39	.37	.34	.31	.29	.27	.25	.23	.21	.19
6	.67	.54	.44	.38	.65	.52	.44	.34	.49	.42	.36	.47	.40	.35	.45	.39	.34	.32	.29	.26	.24	.22	.20	.18	.16	.14
7	.62	.48	.40	.33	.60	.47	.39	.30	.45	.37	.32	.43	.36	.31	.41	.35	.30	.28	.25	.22	.20	.18	.16	.14	.12	.10
8	.58	.44	.36	.30	.56	.43	.35	.27	.41	.34	.29	.39	.33	.28	.37	.32	.27	.25	.22	.19	.17	.15	.13	.11	.09	.07
9	.54	.40	.32	.27	.52	.39	.32	.24	.38	.31	.26	.36	.30	.25	.34	.29	.25	.23	.20	.17	.15	.13	.11	.09	.07	.05
10	.51	.37	.29	.24	.49	.36	.29	.22	.35	.28	.23	.33	.27	.23	.32	.26	.22	.20	.17	.14	.12	.10	.08	.06	.04	.03

Made to order items. Minimum 90 day lead time. Minimum order quantity may vary please contact sales.

¹ DLC Listed / ² DLC Premium Listed / ³ Title 24 / ⁴ JA8 & Title 24 / Typical color consistency. May vary or be changed.

L70 hours calculated based on LED package manufacturer LM80 report and ISTMT report of LED in luminaire. Stated values are for select catalog numbers. Contact Globalux for detailed information. / Actual performance may differ as a result of end-user environment and application. All values are design or typical values, measured under laboratory conditions at 25 °C.