

PROJECT	NOTES	TYPE	DATE	CAT. No.
---------	-------	------	------	----------



AUC

Angle & CCT Adjustable, Linkable Undercabinet

The AUC series is a next generation, linkable or direct wire undercabinet fixture that provides task or accent lighting in commercial, retail, hospitality and residential applications. Standard knockouts are located on top, back or ends for direct connection. The AUC has the capability to adjust the light angle up to 90 degrees to illuminate the preferred area. Ideal for use under and over cabinets, display cases, task lighting, office lighting, coves, and utility/work areas.



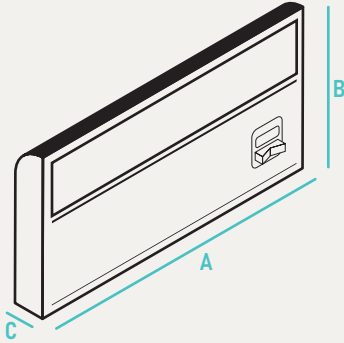
INPUT VOLTAGE	120V
INPUT FREQUENCY	60 Hz
RATED WATTAGE	See Performance Data
DELIVERED LUMENS	See Performance Data
EFFICACY	See Performance Data
CRI	90
AVAILABLE CCT	2700K, 3000K, 3500K, 4000K, 5000K
LENS TYPE	PC

RATED LIFE	50,000hrs (Based on 3hrs a Day)
L70	36,000hrs
POWER FACTOR	>0.93
THD	N/A
DIMMING	0-10V
OPERATING TEMP.	32°F - 104°F / 0°C to 40°C
BEAM ANGLE	110°

ORDER INFO / EXAMPLE: AUC-24-12-120D-MCT-WH

QUICK SHIP ITEMS ON PG.2

SERIES	FORM FACTOR	RATED WATTAGE	DRIVER TYPE	COLOR TEMP	FINISH
AUC	24	12	120D	MCT	WH
AUC Angle & CCT Adjustable, Linkable Undercabinet	12-12" Length 18-18" Length 24-24" Length 32-32" Length	12" Length 5- 5W, 256 Lumens 18" Length 8- 8W, 408 Lumens 24" Length 12- 12W, 613 Lumens 32" Length 16- 16W, 817 Lumens	120D- 120V Dimming, 10-100%; Triac Dimming	MCT- 2700K, 3000K, 3500K, 4000K, 5000K Selectable; 90CRI	WH- White



	A	B	C	Case QTY
AUC-12	12"	3.94"	1.38"	1
AUC-18	18"	3.94"	1.38"	1
AUC-24	24"	3.94"	1.38"	1
AUC-32	32"	3.94"	1.38"	1

CONSTRUCTION

Low profile aluminum housing available in white. Designed to prevent "hot spots" on counter tops. Lens design and materials provide uniform appearance without pixilation.

ELECTRICAL

Equipped standard with 120V, 10-100% dimming driver, operating at 60Hz. CCT Adjustable at 2700K, 3000K, 3500K, 4000K, 5000K.

QUALIFICATIONS

All luminaires are built to UL 1598 and 2108 standards, and bear appropriate ETL labels. Wet location labeling is standard. Emergency equipped fixtures labeled UL924. Suitable for closets according to NEC Section 410.8 & 410.16. Adheres to LM70, LM80 and TM21 industry standards. Energy Star approved.

INSTALLATION

Each unit is secured to mounting surface using two fasteners. All mounting hardware included.

WARRANTY

3-year Limited Warranty. See warranty documentation for more info.

PERFORMANCE DATA

FORM FACTOR	KELVIN	RATED WATTAGE	DELIVERED LUMENS	EFFICACY (LM/W)
12"	27K-5K	5W	300	66.51
18"	27K-5K	8W	480	72.4
24"	27K-5K	12W	720	68.61
32"	27K-5K	16W	960	66.54

QUICK SHIP

AUC-12-5-120D-MCT-WH	AUC-24-12-120D-MCT-WH
AUC-18-8-120D-MCT-WH	AUC-32-16-120D-MCT-WH

ADDITIONAL IMAGES

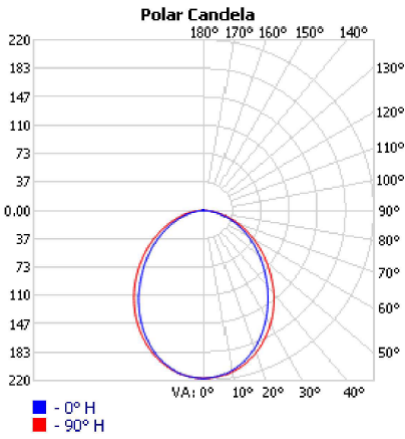


RECOMMENDED DIMMERS

DVCL-153P (Lutron)

PHOTOMETRIC DATA

AUC-12-5-120D-MCT-WH



Zone	Lumens	% Lamp	% Luminaire
0-30	160,6	31,4%	31,4%
0-40	254,5	49,7%	49,7%
0-60	420,2	82,1%	82,1%
60-90	91,0	17,8%	17,8%
70-100	37,2	7,3%	7,3%
90-120	0,2	0%	0%
0-90	511,3	99,9%	99,9%
90-180	0,6	0,1%	0,1%
0-180	511,8	100%	100%

Coefficients Of Utilization - Zonal Cavity Method

Effective Floor Cavity Reflectance: 20%

RCC %:	80				70				50				30				10				0
RW %:	70	50	30	0	70	50	30	0	50	30	20	50	30	20	50	30	20	50	30	20	0
RCR: 0	1,19	1,19	1,19	1,19	1,16	1,16	1,16	1,00	1,11	1,11	1,11	1,06	1,06	1,06	1,02	1,02	1,02	1,00	1,00	1,00	1,00
1	1,09	1,05	1,01	,97	1,07	1,03	,99	,86	,98	,95	,93	,94	,92	,90	,91	,89	,87	,85	,85	,85	,85
2	1,00	,92	,86	,80	,97	,90	,84	,73	,87	,82	,77	,83	,79	,76	,80	,77	,74	,72	,72	,72	,72
3	,92	,81	,74	,67	,89	,80	,73	,63	,77	,71	,66	,74	,69	,64	,72	,67	,63	,61	,61	,61	,61
4	,84	,73	,64	,58	,82	,71	,63	,55	,69	,62	,56	,66	,61	,56	,64	,59	,55	,53	,53	,53	,53
5	,78	,65	,57	,50	,76	,64	,56	,48	,62	,55	,49	,60	,54	,49	,58	,53	,48	,46	,46	,46	,46
6	,72	,59	,50	,44	,70	,58	,50	,43	,56	,49	,44	,55	,48	,43	,53	,47	,43	,41	,41	,41	,41
7	,67	,54	,45	,39	,65	,53	,45	,38	,51	,44	,39	,50	,43	,39	,49	,43	,38	,36	,36	,36	,36
8	,62	,49	,41	,35	,61	,48	,41	,34	,47	,40	,35	,46	,39	,35	,45	,39	,34	,33	,33	,33	,33
9	,58	,45	,37	,32	,57	,45	,37	,31	,44	,37	,32	,42	,36	,31	,41	,36	,31	,29	,29	,29	,29
10	,55	,42	,34	,29	,54	,41	,34	,28	,40	,34	,29	,39	,33	,29	,39	,33	,29	,27	,27	,27	,27

Made to order items. Minimum 90 day lead time. Minimum order quantity may vary please contact sales.

¹ DLC Listed / ² DLC Premium Listed / ³ Title 24 / ⁴ JA8 & Title 24 / Typical color consistency. May vary or be changed.

L70 hours calculated based on LED package manufacturer LM80 report and ISTMT report of LED in luminaire. Stated values are for select catalog numbers. Contact Globalux for detailed information. / Actual performance may differ as a result of end-user environment and application. All values are design or typical values, measured under laboratory conditions at 25 °C.