

PROJECT	NOTES	TYPE	DATE	CAT. No.
---------	-------	------	------	----------

FINISH OPTIONS ON PAGE 2



# RDL

## LED Round Low Profile Flush

RDL series LED Disk Light provides versatile lighting on standard line voltage, yet produces the high energy savings you desire from LED fixtures. The RDL series allows for easy upgrade to your downlighting from the traditional recessed cans to a more modern looking, energy efficient solution. This Disk Light can be mounted on to a junction box or retrofitted into an existing recessed can with the optional hardware mounting adapter (not included).



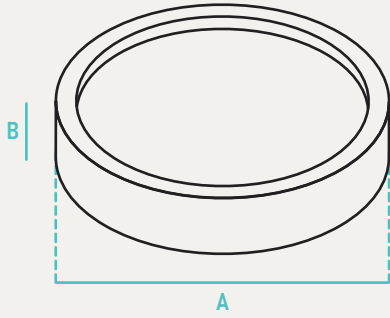
INPUT VOLTAGE	120V
INPUT FREQUENCY	50/60 Hz
RATED WATTAGE	See Performance Data
DELIVERED LUMENS	See Performance Data
EFFICACY	See Performance Data
CRI	90
AVAILABLE CCT	3000K
LENS TYPE	Plastic

RATED LIFE	30,000hrs (Based on 3hrs a Day)
L70	>50,000hrs
POWER FACTOR	>0.9
THD	<20%
DIMMING	120V Dimming (10-100%)
OPERATING TEMP.	-4°F - 113°F / -20°C to 45°C
BEAM ANGLE	N/A

### ORDER INFO / EXAMPLE: RDL-5-10-120D-930-BN

QUICK SHIP ITEMS ON PG.2

SERIES	DIAMETER	RATED WATTAGE	DRIVER TYPE	COLOR TEMP	FINISH	
RDL	5	10	120D	930	BN	
RDL LED Round Low Profile Flush	5-5" 7-7" 9-9" 12-12"	5" Housing 10- 10W, 550 Lumens 7" Housing 15- 15W, 950 Lumens 9" Housing 18- 18W, 1170 Lumens 12" Housing 22- 22W, 1540 Lumens	120D- 120V Dimming, 10-100% 277- 277V Triac Dimming	930- 3000K, 90CRI 940- 4000K, 90CRI MCT- 2700K, 3000K, 3500K 4000K, 5000K CCT Selectable, 90CRI	BL- Black BN- Brushed Nickel WH- White ORB- Oil Rubbed Bronze	
<b>OPTIONS / ACCESSORIES</b>						
			EM-RDL-7-WH 7" Emergency Battery EMBX-RDL-7-WH 7" Blank Box EM-RDL-12-WH 12" Emergency Battery EMBX-RDL-12-WH 12" Blank Box 0-10V 0-10V Dimming	TRIM-RDL-5BN 5" Nickel Trim TRIM-RDL-5BL 5" Black Trim TRIM-RDL-7BN 7" Nickel Trim TRIM-RDL-7BL 7" Black Trim TRIM-RDL-12BN 12" Nickel Trim TRIM-RDL-12BL 12" Black Trim		



## PERFORMANCE DATA

FORM FACTOR	KELVIN	RATED WATTAGE	DELIVERED LUMENS	EFFICACY (L/M/W)
5"	27K-5K	10W	550	55
7"	27K-5K	15W	950	63.3
9"	27K-5K	18W	1170	65
12"	27K-5K	22W	1540	70

	A	B	Case QTY
RDL-5	5.4" Dia	0.7" H	20
RDL-7	7.9" Dia	0.7" H	20
RDL-9	9" Dia	0.7" H	20
RDL-12	12" Dia	0.7" H	10

## QUICK SHIP

RDL-5-10-120D-MCT-BL <sup>4</sup>	RDL-5-10-120D-MCT-BN <sup>4</sup>
RDL-5-10-120D-MCT-WH <sup>4</sup>	RDL-7-15-120D-MCT-BL <sup>4</sup>
RDL-7-15-120D-MCT-BN <sup>4</sup>	RDL-7-15-120D-MCT-WH <sup>4</sup>
RDL-9-18-120D-MCT-BL <sup>4</sup>	RDL-9-18-120D-MCT-BN <sup>4</sup>
RDL-9-18-120D-MCT-WH <sup>4</sup>	RDL-12-22-120D-MCT-BL <sup>4</sup>
RDL-12-22-120D-MCT-BN <sup>4</sup>	RDL-12-22-120D-MCT-WH <sup>4</sup>
RDL-5-10-120D-MCT-WH-BULK <sup>4</sup>	RDL-7-15-120D-MCT-WH-BULK <sup>4</sup>

## CONSTRUCTION

Injection molded trim with diffusion lens for optimal visual comfort while providing exceptional light output. Edge Lit technology and lens design and materials provide uniform appearance without pixelation.

## ELECTRICAL

Equipped standard with 120V, 10-100% dimming driver.

## QUALIFICATIONS

All luminaires are built to UL 1598 and 2108 standards, and bear appropriate ETL labels. Wet location labeling is standard. Emergency equipped fixtures labeled UL924. Suitable for closets according to NEC Section 410.8 & 410.16. Adheres to LM70, LM80 and TM21 industry standards. Title 24 qualified. Dedicated 120V Models are FCC Title 47 CFR, Part 15, Class B for residential and commercial applications. California Title 24 Compliant, JA8 compliant.

## INSTALLATION

Designed for mounting on 3" or 4" electrical J-Box.

## WARRANTY

3-year Limited Warranty. See warranty documentation for more info.

## ADDITIONAL IMAGES



## RECOMMENDED DIMMERS

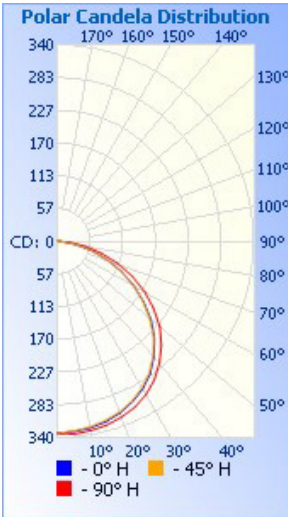
DVCL-153P (Lutron)
--------------------

## COMPATIBLE JUNCTION BOXES



## PHOTOMETRIC DATA

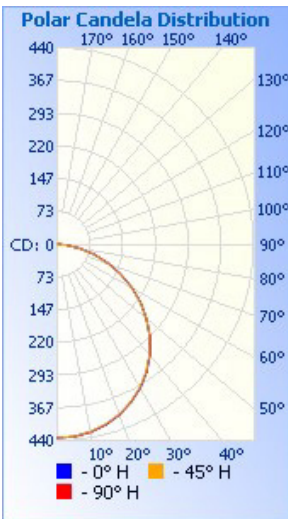
### RDL-7



Zonal Lumen Summary			
Zone	Lumens	% Lamp	% Luminaire
0-30	266.3	25.7%	25.7%
0-40	444.5	42.8%	42.9%
0-60	806.5	77.7%	77.8%
60-90	227.7	21.9%	22%
70-100	96.7	9.3%	9.3%
90-120	1.1	0.1%	0.1%
0-90	1,034.2	99.6%	99.7%
90-180	2.7	0.3%	0.3%
0-180	1,036.9	99.9%	100%

Coefficients Of Utilization - Zonal Cavity Method																								
Effective Floor Cavity Reflectance: 20%																								
RCC %:	80				70				50				30				10				0			
RW %:	70	50	30	0	70	50	30	0	50	30	20	50	30	20	50	30	20	50	30	20	50	30	20	
RCR: 0	1.19	1.19	1.19	1.19	1.16	1.16	1.16	1.00	1.11	1.11	1.11	1.06	1.06	1.06	1.02	1.02	1.02	1.00	1.00	1.00	1.00	1.00	1.00	
1	1.08	1.03	.99	.95	1.06	1.01	.97	.84	.97	.94	.91	.93	.90	.88	.89	.87	.85	.83	.83	.83	.83	.83	.83	
2	.98	.90	.83	.77	.96	.88	.81	.70	.84	.79	.74	.81	.76	.72	.78	.74	.71	.69	.69	.69	.69	.69	.69	
3	.89	.79	.70	.64	.87	.77	.69	.59	.74	.67	.62	.71	.65	.61	.69	.64	.60	.57	.57	.57	.57	.57	.57	
4	.82	.69	.60	.54	.79	.68	.60	.51	.66	.58	.52	.63	.57	.52	.61	.55	.51	.49	.49	.49	.49	.49	.49	
5	.75	.62	.53	.46	.73	.61	.52	.44	.59	.51	.45	.57	.50	.45	.55	.49	.44	.42	.42	.42	.42	.42	.42	
6	.69	.56	.46	.40	.67	.55	.46	.38	.53	.45	.39	.51	.44	.39	.49	.43	.39	.36	.36	.36	.36	.36	.36	
7	.64	.50	.41	.35	.62	.49	.41	.34	.48	.40	.35	.46	.40	.34	.45	.39	.34	.32	.32	.32	.32	.32	.32	
8	.60	.46	.37	.31	.58	.45	.37	.30	.44	.36	.31	.42	.36	.31	.41	.35	.30	.28	.28	.28	.28	.28	.28	
9	.56	.42	.34	.28	.54	.41	.33	.27	.40	.33	.28	.39	.32	.28	.38	.32	.27	.26	.26	.26	.26	.26	.26	
10	.52	.39	.31	.25	.51	.38	.30	.25	.37	.30	.25	.36	.30	.25	.35	.29	.25	.23	.23	.23	.23	.23	.23	

### RDL-12



Zonal Lumen Summary			
Zone	Lumens	% Lamp	% Luminaire
0-30	336.8	26.9%	27%
0-40	553.0	44.2%	44.3%
0-60	979.4	78.4%	78.5%
60-90	264.3	21.1%	21.2%
70-100	112.6	9%	9%
90-120	2.0	0.2%	0.2%
0-90	1,243.6	99.5%	99.6%
90-180	4.8	0.4%	0.4%
0-180	1,248.4	99.9%	100%

Coefficients Of Utilization - Zonal Cavity Method																								
Effective Floor Cavity Reflectance: 20%																								
RCC %:	80				70				50				30				10				0			
RW %:	70	50	30	0	70	50	30	0	50	30	20	50	30	20	50	30	20	50	30	20	50	30	20	
RCR: 0	1.19	1.19	1.19	1.19	1.16	1.16	1.16	1.00	1.11	1.11	1.11	1.06	1.06	1.06	1.02	1.02	1.02	1.00	1.00	1.00	1.00	1.00	1.00	
1	1.08	1.04	.99	.95	1.06	1.01	.97	.84	.97	.94	.91	.93	.90	.88	.89	.87	.85	.83	.83	.83	.83	.83	.83	
2	.99	.90	.83	.78	.96	.88	.82	.70	.85	.79	.75	.81	.77	.73	.78	.75	.71	.69	.69	.69	.69	.69	.69	
3	.90	.79	.71	.64	.87	.78	.70	.60	.74	.68	.63	.72	.66	.61	.69	.64	.60	.58	.58	.58	.58	.58	.58	
4	.82	.70	.61	.54	.80	.69	.60	.51	.66	.59	.53	.64	.58	.52	.62	.56	.52	.50	.50	.50	.50	.50	.50	
5	.75	.63	.53	.47	.73	.61	.53	.45	.59	.52	.46	.57	.51	.45	.55	.50	.45	.43	.43	.43	.43	.43	.43	
6	.70	.56	.47	.41	.68	.55	.47	.39	.53	.46	.40	.52	.45	.40	.50	.44	.39	.37	.37	.37	.37	.37	.37	
7	.65	.51	.42	.36	.63	.50	.42	.35	.49	.41	.36	.47	.40	.35	.46	.40	.35	.33	.33	.33	.33	.33	.33	
8	.60	.46	.38	.32	.58	.46	.38	.31	.44	.37	.32	.43	.36	.32	.42	.36	.31	.29	.29	.29	.29	.29	.29	
9	.56	.43	.34	.29	.55	.42	.34	.28	.41	.34	.29	.40	.33	.28	.39	.33	.28	.26	.26	.26	.26	.26	.26	
10	.53	.39	.31	.26	.51	.39	.31	.26	.38	.31	.26	.37	.30	.26	.36	.30	.26	.24	.24	.24	.24	.24	.24	

Made to order items. Minimum 90 day lead time. Minimum order quantity may vary please contact sales.

<sup>1</sup> DLC Listed / <sup>2</sup> DLC Premium Listed / <sup>3</sup> Title 24 / <sup>4</sup> JA8 & Title 24 / Typical color consistency. May vary or be changed.

L70 hours calculated based on LED package manufacturer LM80 report and ISTMT report of LED in luminaire. Stated values are for select catalog numbers. Contact Globalux for detailed information. / Actual performance may differ as a result of end-user environment and application. All values are design or typical values, measured under laboratory conditions at 25 °C.