

LRV Series

Installation Instructions

SAFETY INSTRUCTIONS

PLEASE READ THESE INSTRUCTIONS CAREFULLY AND SAVE THEM, AS YOU MAY NEED THEM AT A LATER DATE.

1. Read all safety precautions and installation instructions carefully before installing or servicing this fixture. Failure to comply with these instructions could result in potentially fatal electric shock and/or property damage.
2. It is recommended that a qualified electrician perform all wiring. This fixture must be wired in accordance with all national and local electrical codes.
3. Do not handle any energized fixture or attempt to energize any fixture with wet hands or while standing on a wet or damp surface or in water.
4. Make sure that the power source conforms to the requirements of the fixture (see labels on fixture housing). The fixture is designed for use in a 120VAC fused circuit (It can use on a dimming circuit).
5. To reduce the risk of electrical shock, and to assure proper operation, this fixture must be adequately grounded. To accomplish proper grounding, there must be a separate ground wire (green) contact between this fixture and the ground connection of your main power supply panel.
6. This fixture is intended to be used for general indoor lighting in dry or damp locations only.

7. MIN 90 °C SUPPLY CONDUCTORS .

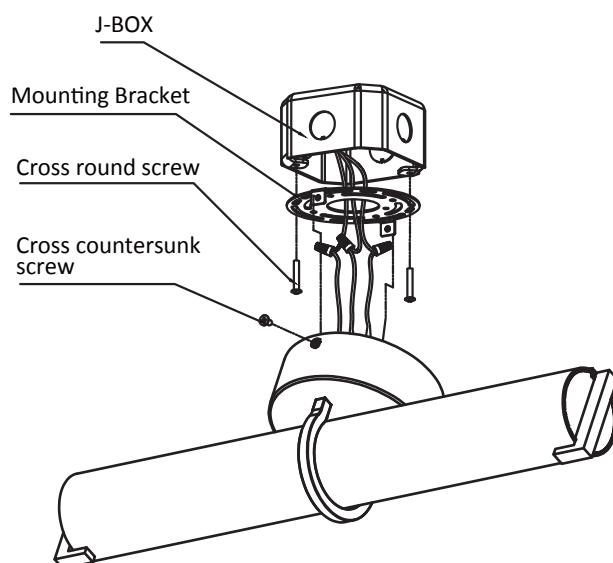
NEEDED TOOLS

- Safety Glasses
- Ruler/Tape Measure
- Flat Blade Screwdriver
- Phillips Screwdriver
- Adjustable Wrench
- Drill
- 3/16" Drill Bit
- 3/32" Drill Bit
- Pliers



INSTRUCTIONS

- (1) Remove mounting bracket from the fixture.
- (2) Install mounting bracket to the junction box with the cross round screws.
- (3) Connect L,N and ground wire the fixture and junction box with wire nuts (provided).
- (4) Secure base of fixture and mounting bracket with cross countersunk screws.



IMPORTANT SAFE PRACTICES

Color Changing Temperature Adjustment, CCT (if desired).

- Adjust CCT switches on each board accordingly to the desired color temperature as seen below. All boards must be set the same way.
Note: Fixture is preset to 3000K from factory. Power to fixture must always be turned OFF prior to adjusting CCT switches.

COLOR TEMPERATURE ADJUSTMENT SETTING

