

### SAFETY INSTRUCTIONS

1. Read all safety precautions and installation instructions carefully before installing or servicing this fixture. Failure to comply with these instruction could result in potentially fatal electric shock and/or property damage.
2. It is recommended that a qualified electrician perform all wiring. This fixture must be wired in accordance with all national and local electrical codes.
3. Do not handle any energized fixture or attempt to energize any fixture with wet hands or while standing on a wet or damp surface or in water.
4. This fixture is designed for use in a 120VAC, 60Hz fused circuit. The fixture is not dimmable.
5. Make sure that the power source conforms to the requirements of the fixture. (See labels on the fixture housing).
6. To reduce the risk of electrical shock, and to assure proper operation, this fixture must be adequately grounded. To accomplish proper grounding, there must be a separate ground wire (green) contact between this fixture and the ground connection of your main power supply panel.
7. This fixture is intended to be used for general indoor lighting in dry, damp or wet locations. For wet application, it must be mounted at least 48 inches above the ground level (not suitable for submersion).

#### Disclaimer:

Changes or modifications not expressly approved by the party responsible for compliance could void the user's authority to operate the equipment. **NOTE:** This equipment has been tested and found to comply with the limits for a Class B digital device, pursuant to Part 15 of the FCC Rules and Canadian ICES-005(B) / NMB-005(B). These limits are designed to provide reasonable protection against harmful interference in a residential installation. This equipment generates uses and can radiate radio frequency energy and, if not installed and used in accordance with the instructions, may cause harmful interference to radio communications. However, there is no guarantee that interference will not occur in a particular installation.

**ANY modifications to this fixture may void the warranty and interfere with the safe operation of the luminaire.**

### NEEDED TOOLS

- Safety Glasses
- Ruler/Tape Measure
- Flat Blade Screwdriver
- Phillips Screwdriver
- Adjustable Wrench
- Drill
- 3/16" Drill Bit
- 3/32" Drill Bit
- Pliers

### INSTRUCTIONS

#### Step 1 - Preparing for installation.

1. Disconnect electrical power at fuse or circuit breaker box before installing or servicing any part of this fixture.
2. Carefully remove the fixture from the carton.
3. Remove mounting bracket (1) from the fixture.
4. Install screws (3) to mounting bracket allowing only about 7/16" to protrude outward.
5. Tighten two center screws on mounting bracket to secure in place.

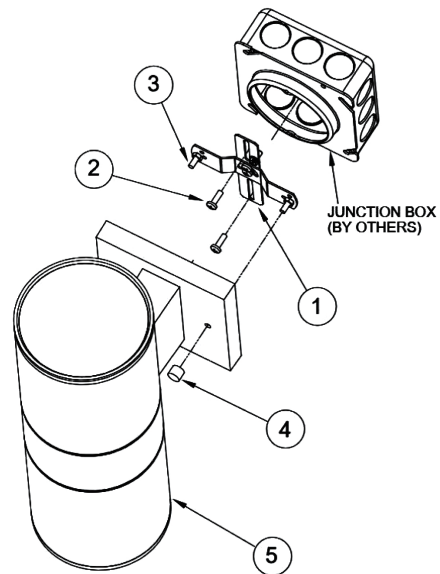
#### Wiring-All wiring must take place inside junction box (not included).

**Caution:** Make sure power is off at fuse or circuit breaker box. Check power wires for damage or scrapes. Use wire suitable for at least 90°C (194°F). Have supply wire rated to 60°C. Consult a qualified electrician before installing.

## INSTRUCTIONS

### Step 2 - Wiring fixture.

1. Connect Supply Wiring. Secure with nuts (provided).
2. Connect the green wire from the fixture to the supply ground wire.
3. Connect the black wire from the fixture to the black (L) wire from supply.
4. Connect the white wire from the fixture to the white(N) wire from supply.
5. Tuck all connections neatly into the junction box.



### Step 3 - Mounting.

1. Install fixture (5) over the mounting bracket (1) by aligning center holes to the stems (3) and secure with barrel nuts (4).
2. **IMPORTANT:** Apply a small bead of silicone (not included) per manufacturer's instruction around the perimeter of the fixture (5) where it contacts with the surface of wall.

### Step 4 - Restore power at fuse or circuit breaker box.

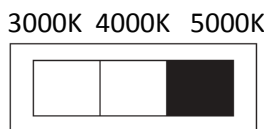
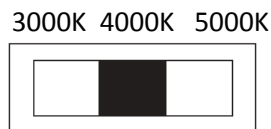
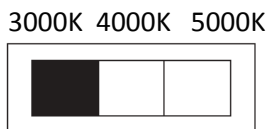
## IMPORTANT SAFE PRACTICES

### Color Changing Temperature Adjustment, CCT (if desired).

1. Adjust CCT switches on each board accordingly to the desired color temperature as seen below. All boards must be set the same way.

**Note:** Fixture is preset to 3000K from factory. Power to fixture must always be turned OFF prior to adjusting CCT switches.

### COLOR TEMPERATURE ADJUSTMENT SETTING



## WIRING DIAGRAM (TYP)

