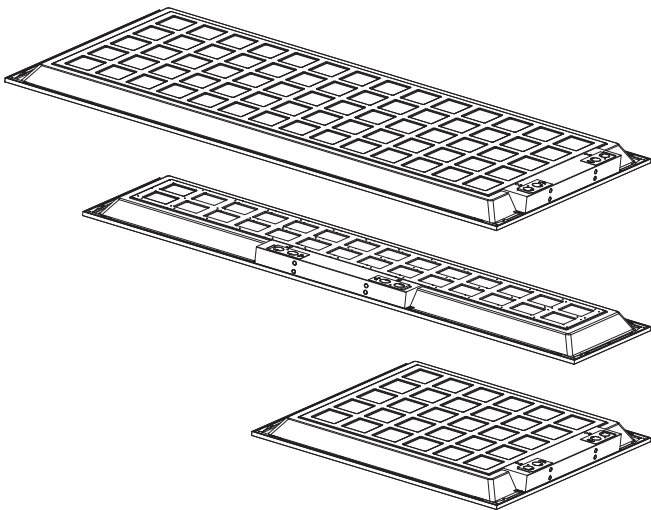


Installation Instruction

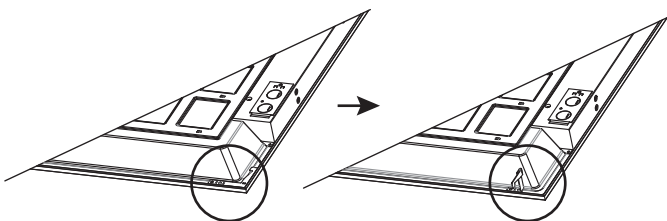
- ① Carefully unpack the fixture from its packaging and check contents.



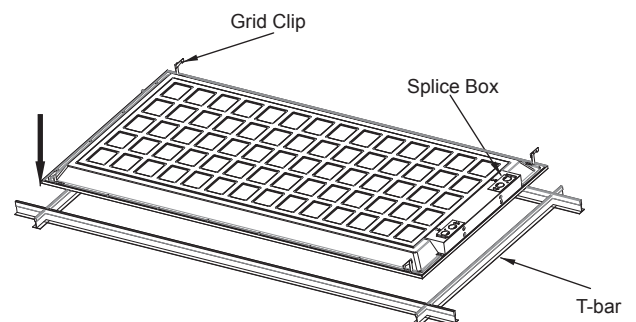
- ② Turn off power at circuit breaker.



- ③ Locate all four earthquake clips on the back of luminaire. Twist each tab away from luminaire hook them on the T-bar.

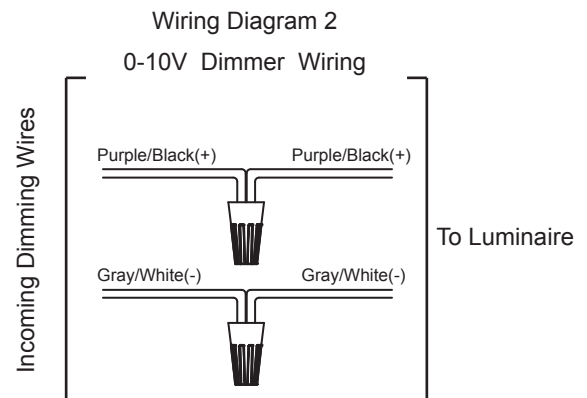
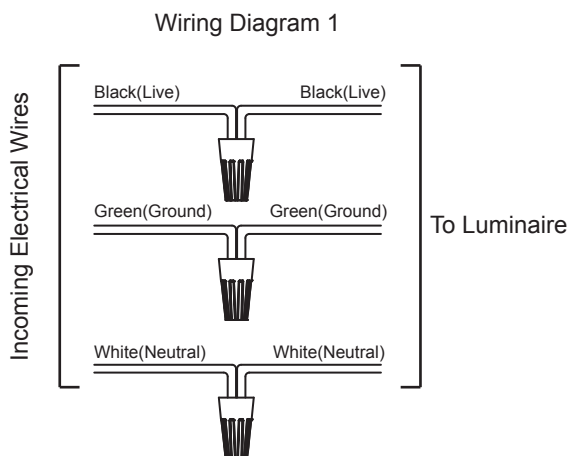
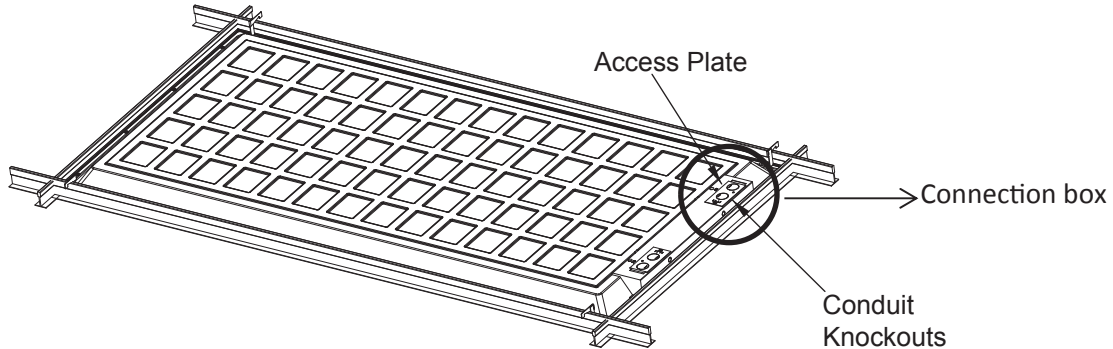


- ④ Rest the Luminaire on the T-Bar of the ceiling suspension system in the desired location.



Installation Instruction

- ⑤ Open the connection box and connect the incoming electrical wires to the set of power wires black to black(Live), white to white(Neutral) and green to green(ground). See wiring diagram 1;
- ⑥ For 0-10V dimming, make sure connect the same wire color . See wiring diagram 2



- ⑦ Check the wiring, make sure everything is correct. Recover the connection box. Then turn on power to light up the luminaire.

WARNING

- TO AVOID ELECTRIC SHOCK OR COMPONENT DAMAGE, DISCONNECT POWER BEFORE ATTEMPTING INSTALLATION OR SERVICING.
- THIS PRODUCT MUST BE INSTALLED IN ACCORDANCE WITH THE NATIONAL ELECTRIC CODE(NEC) AND ALL APPLICABLE FEDERAL, STATE AND LOCAL ELECTRIC CODES AND SAFETY STANDARDS.
- PLEASE FOLLOW THE CORRECT INSTALLATION INSTRUCTIONS TO INSTALL THE PRODUCT
- DO NOT USE THE PRODUCT UNDER WET LOCATION