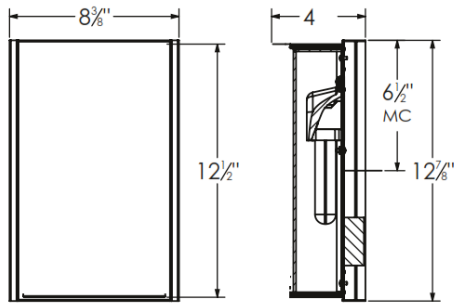


Ordering Information

Dimensions



Specification Features



Construction

Contemporary styled fixture. Two twin steel rings surrounded a frosted glass diffuser designed to eliminate glare and optimize lumen output.

Qualifications

All luminaires are built to UL 1598 and 2108 standards, and bear appropriate ETL labels. Damp location labeling is standard. Emergency equipped fixtures labeled UL924. Adheres to LM70, LM80, and TM21 industry standards. ENERGY STAR® certified product (for 3000K and 4000K only) and Title 24 qualified. Dedicated 120V Models are FCC Title 47 CFR, Part 15, Class B for residential and commercial applications. California Title 24 Compliant, JA8 compliant, CEC Listed.

Warranty

3-year Limited Warranty. See warranty documentation for more information.

Electrical

Equipped standard with 120V-277V driver.

Installation

Designed for wall mounting on 4" electrical J-Box.

RWS Series

9W(900Lumens)

Rated Life 50,000 hours
Limited Warranty 3 years
Efficacy Up to 100 LPW

Quick Ship

RWS-9-120-930-NS

Ordering Information

Example: RWS-9-120-930-NS

RWS	9	120	9	40	NS
Series RWS LED Ringed Wall Sconce	Rated Wattage 9-9W,(900Lumens) ²	Driver Type 120- 120V ²	CRI 9 90+ CRI	Color Temp 30-3000 K ² 40-4000 K ^{1 2}	Finish NS- Nickel Satin ² ORB-Oil Rubbed Bronze ^{1 2}

Specifications and Dimensions subject to change without notice.

¹ Made to order items. Minimum 90 day lead time. Minimum 500 order quantity.

² Energy star listed