

PROJECT	NOTES	TYPE	DATE	CAT. No.
---------	-------	------	------	----------

FINISH OPTIONS ON PAGE 3



OWS

Outdoor Wall Sconce

The OWS Series is a contemporary wall sconce fixture updated with the latest in LED technology. The OWS provides accent illumination that visually expands the space and creates a relaxing atmosphere. The long LED life coupled with exceptional color rendering make this fixture attractive for new or retrofit projects. Ideal for use in hallways, stairways, dining areas, foyers and meeting rooms for residential and commercial applications.



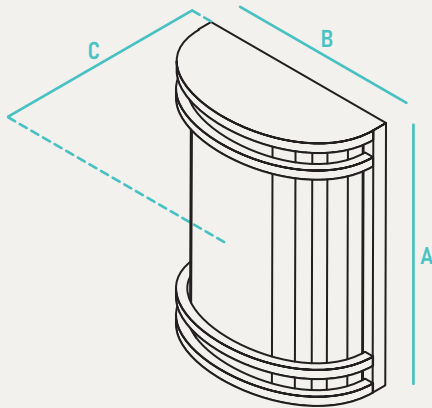
INPUT VOLTAGE	120V
INPUT FREQUENCY	50/60 Hz
RATED WATTAGE	See Performance Data
DELIVERED LUMENS	See Performance Data
EFFICACY	80 LPW (typ.)
CRI	80CRI
AVAILABLE CCT	3000K, 4000K, 5000K
LENS TYPE	Plastic

RATED LIFE	50,000hrs (Based on 3hrs a Day)
L70	>50,000hrs
POWER FACTOR	>0.9
THD	N/A
DIMMING	N/A
OPERATING TEMP.	-4°F - 113°F / -20°C to 45°C
BEAM ANGLE	N/A

ORDER INFO / EXAMPLE: OWS-17-120-MCT-BN

QUICK SHIP ITEMS ON PG.2

SERIES	RATED WATTAGE	DRIVER TYPE	COLOR TEMP	FINISH
OWS	17	120	MCT	BL
OWS Outdoor Wall Sconce	17- 17W, 1364 Lumens	120- 120V	MCT- 3000K, 4000K, 5000K CCT Selectable Switch; 80CRI	BL- Black BN- Brushed Nickel



PERFORMANCE DATA

FORM FACTOR	KELVIN	RATED WATTAGE	DELIVERED LUMENS	EFFICACY (LM/W)
17W	3K/4K/5K	17W	1364	80

QUICK SHIP

OWS-17-120-MCT-BL	OWS-17-120-MCT-BN
-------------------	-------------------

ADDITIONAL IMAGES



Made to order items. Minimum 90 day lead time.
 Minimum order quantity may vary please contact sales.
 1 DLC Listed / 2 DLC Premium Listed / 3 Title 24 / 4 JA8 & Title 24
 Typical color consistency. May vary or be changed. L70 hours calculated based on LED package manufacturer LM80 report and ISTMT report of LED in luminaire. Stated values are for select catalog numbers. Contact Globalux for detailed information.
 Actual performance may differ as a result of end-user environment and application. All values are design or typical values, measured under laboratory conditions at 25 °C.

	A	B	C	Case QTY
OWS	11" H	6.2" W	4.9" E	6

CONSTRUCTION

Contemporary Styled fixture, two twin steel rings surround a high-transmission frosted plastic diffuser designed to eliminate glare and optimize lumen output.

ELECTRICAL

Equipped standard with 120-277V driver

QUALIFICATIONS

All luminaires are built to UL 1598 and 2108 standards, and bear appropriate ETL labels. Wet location labeling is standard. Emergency equipped fixtures labeled UL924. Adheres to LM70, LM80, and TM21 industry standards. Dedicated 120V Models are FCC Title 47 CFR, Part 15, Class B for residential and commercial applications.

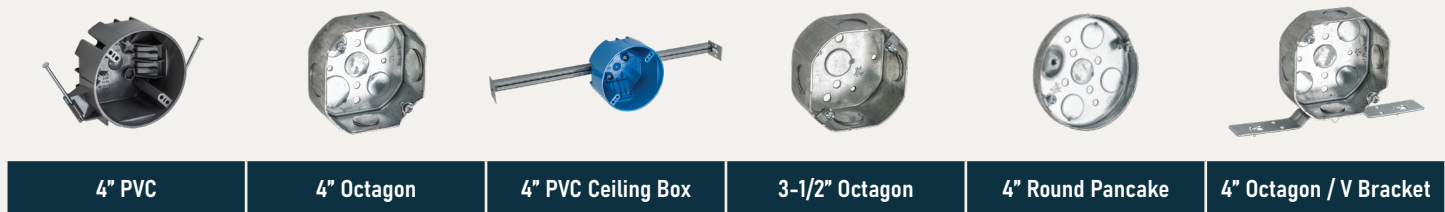
INSTALLATION

Designed for mounting on 4" electrical J-Box.

WARRANTY

5-year Limited Warranty. See warranty documentation for more info.

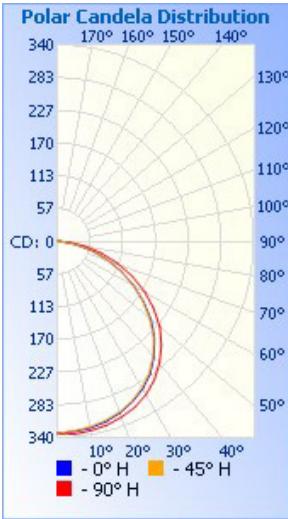
COMPATIBLE JUNCTION BOXES



4" PVC 4" Octagon 4" PVC Ceiling Box 3-1/2" Octagon 4" Round Pancake 4" Octagon / V Bracket

PHOTOMETRIC DATA

RDL-7



Zonal Lumen Summary

Zone	Lumens	% Lamp	% Luminaire
0-30	266.3	25.7%	25.7%
0-40	444.5	42.8%	42.9%
0-60	806.5	77.7%	77.8%
60-90	227.7	21.9%	22%
70-100	96.7	9.3%	9.3%
90-120	1.1	0.1%	0.1%
0-90	1,034.2	99.6%	99.7%
90-180	2.7	0.3%	0.3%
0-180	1,036.9	99.9%	100%

Coefficients Of Utilization - Zonal Cavity Method

Effective Floor Cavity Reflectance: 20%

RCC %:	80				70				50				30				10				0
RW %:	70	50	30	0	70	50	30	0	50	30	20	50	30	20	50	30	20	50	30	20	0
RCR: 0	1.19	1.19	1.19	1.19	1.16	1.16	1.16	1.00	1.11	1.11	1.11	1.06	1.06	1.06	1.02	1.02	1.02	1.00	1.00	1.00	1.00
1	1.08	1.03	.99	.95	1.06	1.01	.97	.84	.97	.94	.91	.93	.90	.88	.89	.87	.85	.83	.83	.83	.83
2	.98	.90	.83	.77	.96	.88	.81	.70	.84	.79	.74	.81	.76	.72	.78	.74	.71	.69	.69	.69	.69
3	.89	.79	.70	.64	.87	.77	.69	.59	.74	.67	.62	.71	.65	.61	.69	.64	.60	.57	.57	.57	.57
4	.82	.69	.60	.54	.79	.68	.60	.51	.66	.58	.52	.63	.57	.52	.61	.55	.51	.49	.49	.49	.49
5	.75	.62	.53	.46	.73	.61	.52	.44	.59	.51	.45	.57	.50	.45	.55	.49	.44	.42	.42	.42	.42
6	.69	.56	.46	.40	.67	.55	.46	.38	.53	.45	.39	.51	.44	.39	.49	.43	.39	.36	.36	.36	.36
7	.64	.50	.41	.35	.62	.49	.41	.34	.48	.40	.35	.46	.40	.34	.45	.39	.34	.32	.32	.32	.32
8	.60	.46	.37	.31	.58	.45	.37	.30	.44	.36	.31	.42	.36	.31	.41	.35	.30	.29	.29	.29	.29
9	.56	.42	.34	.28	.54	.41	.33	.27	.40	.33	.28	.39	.32	.28	.38	.32	.27	.26	.26	.26	.26
10	.52	.39	.31	.25	.51	.38	.30	.25	.37	.30	.25	.36	.30	.25	.35	.29	.25	.23	.23	.23	.23

Made to order items. Minimum 90 day lead time. Minimum order quantity may vary please contact sales.

¹ DLC Listed / ² DLC Premium Listed / ³ Title 24 / ⁴ JA8 & Title 24 / Typical color consistency. May vary or be changed.

L70 hours calculated based on LED package manufacturer LM80 report and ISTMT report of LED in luminaire. Stated values are for select catalog numbers. Contact Globalux for detailed information. / Actual performance may differ as a result of end-user environment and application. All values are design or typical values, measured under laboratory conditions at 25 °C.