

PROJECT	NOTES	TYPE	DATE	CAT. No.
---------	-------	------	------	----------



LAW

LED Architectural Wall Pack

The LAW wall pack combines functionality and aesthetics. Equipped with high-performance LEDs, it ensures efficient illumination. The sturdy aluminum housing is weather-resistant, making it suitable for outdoor use. The frosted high-impact diffuser ensures uniform light distribution, making it an excellent choice for corridors, patios, and other spaces where consistent lighting matters. Whether enhancing architectural features or illuminating pathways, the LAW wall pack strikes the perfect balance between practicality and sleek design.

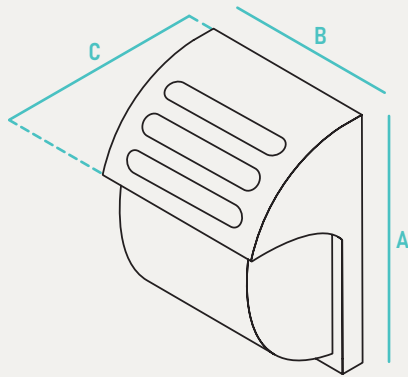


INPUT VOLTAGE	120V
INPUT FREQUENCY	60 Hz
RATED WATTAGE	See Performance Data
DELIVERED LUMENS	See Performance Data
EFFICACY	>66.6 LPW (typ.)
CRI	80
AVAILABLE CCT	4000K
LENS TYPE	Frosted Glass

RATED LIFE	50,000hrs (Based on 3hrs a Day)
L70	>72,000hrs or >45,000
POWER FACTOR	>0.9
THD	<20%
DIMMING	N/A
OPERATING TEMP.	32°F - 104°F / 0°C to 40°C
BEAM ANGLE	120°

ORDER INFO / EXAMPLE: LAW-9-120-840-BL

SERIES	RATED WATTAGE	DRIVER TYPE	COLOR TEMP	FINISH	OPTIONS
LAW	9	120	840	BL	
LAW LED Architectural Wall Pack	9- 9W, 600 Lumens	120- 120V	840- 4000K, 80+ CRI	BL- Black	Blank- No options P- Photocell



PERFORMANCE DATA

FORM FACTOR	KELVIN	RATED WATTAGE	DELIVERED LUMENS	EFFICACY (L/M/W)
9W	4000K	9W	600	66.6

QUICK SHIP

LAW-9-120-840-BL

ADDITIONAL IMAGES



	A	B	C	Case QTY
LAW	9-5/8" H	7" W	3-3/4" E	8

CONSTRUCTION

Rugged die cast aluminum housing withstands outdoor environments. Outer surface treated with durable power coating to provide resistant to corrosion, rust, weathering, and or degradation. Performance engineered internal heat dissipation provide superior thermal management for LED life and reliability.

ELECTRICAL

Equipped standard with 120V fixed output driver operating at 60HZ.

QUALIFICATIONS

All luminaires are built to UL 1598 and 2108 standards, and bear appropriate ETL labels. Wet location labeling is standard. Emergency equipped fixtures labeled UL924. Adheres to LM70, LM80, and TM21 industry standards. Dedicated 120V Models are FCC Title 47 CFR, Part 15, Class B for residential and commercial applications.

INSTALLATION

Designed for mounting on 4" electrical J-Box.

WARRANTY

3-year Limited Warranty. See warranty documentation for more info.

COMPATIBLE JUNCTION BOXES



4" PVC

4" Octagon

4" PVC Ceiling Box

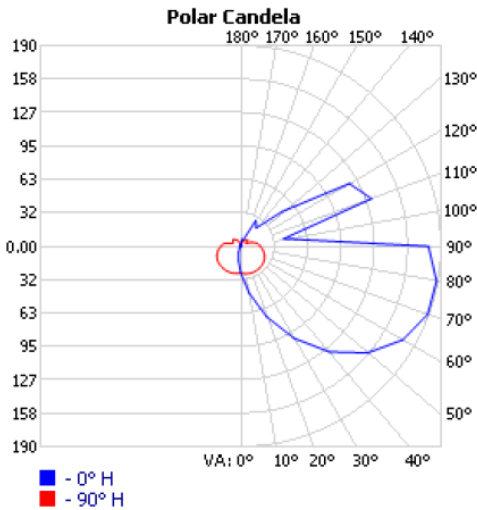
3-1/2" Octagon

4" Round Pancake

4" Octagon / V Bracket

PHOTOMETRIC DATA

LAW



Zonal Lumen Summary

Zone	Lumens	% Lamp	% Luminaire
0-30	28.5	5.5%	5.6%
0-40	56.2	10.9%	11%
0-60	147.5	28.7%	28.9%
60-90	193.8	37.7%	38%
70-100	178.6	34.7%	35%
90-120	113.5	22.1%	22.3%
0-90	341.4	66.4%	66.9%
90-180	168.8	32.8%	33.1%
0-180	510.2	99.2%	100%

Coefficients Of Utilization - Zonal Cavity Method

Effective Floor Cavity Reflectance: 20%

RCC %:	80				70				50			30			10			0
RW %:	70	50	30	0	70	50	30	0	50	30	20	50	30	20	50	30	20	0
RCR: 0	1.10	1.10	1.10	1.10	1.04	1.04	1.04	.66	.92	.92	.92	.81	.81	.81	.71	.71	.71	.66
1	.94	.87	.80	.75	.88	.81	.76	.43	.71	.66	.62	.61	.58	.54	.52	.50	.47	.42
2	.83	.72	.63	.56	.77	.67	.59	.32	.58	.52	.46	.50	.45	.40	.42	.38	.34	.30
3	.74	.61	.51	.43	.69	.57	.48	.24	.49	.42	.36	.42	.36	.31	.35	.31	.26	.23
4	.67	.53	.43	.35	.62	.49	.40	.19	.43	.35	.29	.36	.30	.25	.30	.25	.21	.18
5	.61	.46	.36	.29	.56	.43	.34	.16	.37	.30	.24	.32	.25	.20	.27	.21	.17	.14
6	.56	.41	.31	.24	.52	.38	.29	.13	.33	.26	.20	.28	.22	.17	.24	.18	.14	.11
7	.51	.37	.27	.21	.47	.34	.26	.11	.30	.22	.17	.25	.19	.15	.21	.16	.12	.10
8	.47	.33	.24	.18	.44	.31	.22	.10	.27	.20	.15	.23	.17	.13	.19	.14	.11	.08
9	.44	.30	.21	.15	.41	.28	.20	.08	.24	.18	.13	.21	.15	.11	.18	.13	.09	.07
10	.41	.27	.19	.14	.38	.26	.18	.07	.22	.16	.11	.19	.14	.10	.16	.12	.08	.06

Made to order items. Minimum 90 day lead time. Minimum order quantity may vary please contact sales.

¹ DLC Listed / ² DLC Premium Listed / ³ Title 24 / ⁴ JA8 & Title 24 / Typical color consistency. May vary or be changed.

L70 hours calculated based on LED package manufacturer LM80 report and ISTMT report of LED in luminaire. Stated values are for select catalog numbers. Contact Globalux for detailed information. / Actual performance may differ as a result of end-user environment and application. All values are design or typical values, measured under laboratory conditions at 25 °C.