

PROJECT	NOTES	TYPE	DATE	CAT. No.
---------	-------	------	------	----------



LWP2

LED Wall Pack

The LWP2 family of LED wall packs combine high-performance LED's, highly-engineered optics to traditional designs to bring you the most advanced line of wall packs on the market. Multiple lumen packages mean there is an LWP2 that is just right for your lighting needs. The LWP2 wall packs were designed and engineered as maintenance free, energy-efficient alternatives to traditional fluorescent, high pressure sodium and H.I.D light sources.



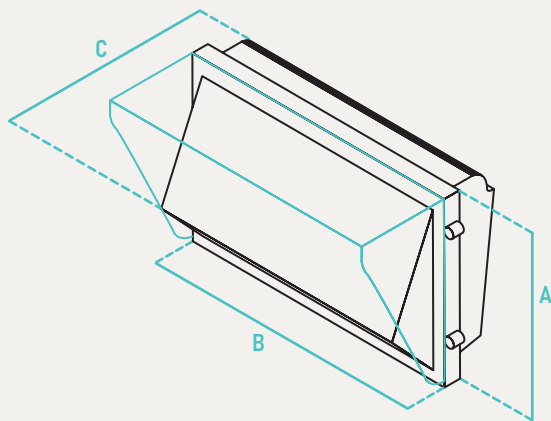
INPUT VOLTAGE	120-277V
INPUT FREQUENCY	50/60 Hz
RATED WATTAGE	See Performance Data
DELIVERED LUMENS	See Performance Data
EFFICACY	130-140 LPW (typ.)
CRI	80CRI
AVAILABLE CCT	3000K, 4000K, 5000K
LENS TYPE	Glass

RATED LIFE	5yrs (Based on 3hrs a Day)
L70	N/A
POWER FACTOR	>0.9
THD	20%
DIMMING	0-10V
OPERATING TEMP.	N/A
BEAM ANGLE	128°

ORDER INFO / EXAMPLE: LWP2-40-MVD-830/40/50

QUICK SHIP ITEMS ON PG.2

SERIES	RATED WATTAGE	DRIVER TYPE	COLOR TEMP
LWP2	40	MVD	830/40/50
LWP2 LED Wall Pack	40- 40W, 5600 Lumens 60- 60W, 8400 Lumens 80- 80W, 11200 Lumens 120- 120W, 16800 Lumens	MVD- 120-277V	830/40/50- 3000K, 4000K, 5000K CCT Selectable; 80CRI
OPTIONS / ACCESSORIES			
Emergency Backup EML20- 20W Emergency Battery		Controls OSBL-WP- Fixture Mounted Bi-Level Occupancy Sensor (Remote Sold Separately RM-OSBL-WP)	
Accessories P- Photocell LWP2-SHIELD-BR- Uplight Shield for 60W & 80W Version			



CONSTRUCTION

Rugged die cast aluminum housing withstands outdoor environments. Outer surface treated with durable power coating to provide resistant to corrosion, rust, weathering, and or degradation. Performance engineered internal heat dissipation fins provide superior thermal management for lens life and reliability.

ELECTRICAL

Equipped standard with 0-10V continuous dimming driver that works with any standard 0-10V control/dimmer. Long-Life LED's 60,000 hours at L80 with projected life over 100,000 hours for reduced life cycle maintenance costs. Standard CCT switch adjusts between 3000K, 3500K and 4000K.

QUALIFICATIONS

All luminaires are built to UL 1598 and 2108 standards, and bear appropriate ETL labels. Wet location labeling is standard. Emergency equipped fixtures labeled UL924. Adheres to LM70, LM80, and TM21 industry standards. DesignLights Consortium® (DLC) DLC qualified product. Not all models of this product may be DLC qualified. Please check the DLC Qualified Products List at www.designlights.org/QPL to confirm which models are qualified.

OPTIONS

Optional Photocell, Bi-Level Motion sensor, high voltage transformers, and emergency battery backups.

INSTALLATION

Luminaire mounting design for standard J-Box. Features multiple conduit entries

WARRANTY

5-year Limited Warranty. See warranty documentation for more info.

	A	B	C	Case QTY
LWP2-40	9.3" H	14.4" W	5.4" D	1
LWP2-60	9.3" H	14.4" W	5.4" D	1
LWP2-80	9.3" H	14.4" W	5.4" D	1
LWP2-120	8.7" H	14.4" W	6.4" D	1

PERFORMANCE DATA

FORM FACTOR	KELVIN	RATED WATTAGE	DELIVERED LUMENS	EFFICACY (LM/W)
40W	3K/4K/5K	40W	5600	140
60W	3K/4K/5K	60W	8400	140
80W	3K/4K/5K	80W	11200	140
120W	3K/4K/5K	120W	16800	140

RECOMMENDED DIMMERS

WBSD-010DEC (Cooper)	WBSD-010SLD (Cooper)
DF10P (Cooper)	

QUICK SHIP

LWP2-40-MVD-830/40/50 ¹	LWP2-60-MVD-830/40/50 ¹
LWP2-60-MVD-830/40/50-P ¹	LWP2-80-MVD-830/40/50 ¹
LWP2-80-MVD-830/40/50-P ¹	

COMPATIBLE JUNCTION BOX



4" PVC	4" Octagon	4" PVC Ceiling Box	3-1/2" Octagon	4" Round Pancake	4" Octagon / V Bracket
--------	------------	--------------------	----------------	------------------	------------------------

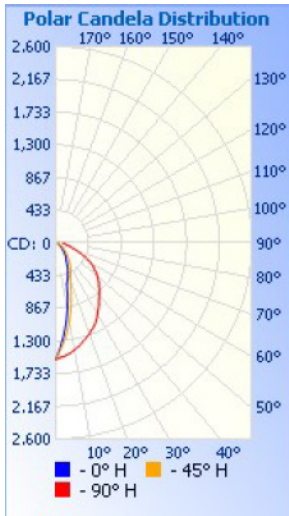
ADDITIONAL IMAGES



Shown with Shield

PHOTOMETRIC DATA

LWP2-60-MVD-830/40/50



Zonal Lumen Summary			
Zone	Lumens	% Lamp	% Luminaire
0-30	1,123.2	15.2%	18.4%
0-40	1,856.1	25.1%	30.5%
0-60	3,533.2	47.7%	58%
60-90	2,555.2	34.5%	42%
0-90	6,088.5	82.2%	100%

Coefficients Of Utilization - Zonal Cavity Method

Effective Floor Cavity Reflectance: 20%

RCC %:	80		70		50		30		10		0							
RW %:	70	50	30	0	70	50	30	0	50	30	20	50	30	20	50	30	20	0
RCR: 0	.98	.98	.98	.98	.96	.96	.96	.82	.91	.91	.91	.87	.87	.87	.84	.84	.84	.82
1	.85	.79	.73	.69	.82	.77	.72	.60	.73	.69	.65	.70	.66	.63	.66	.64	.61	.59
2	.75	.66	.59	.52	.73	.65	.58	.47	.61	.55	.50	.58	.54	.49	.56	.52	.48	.46
3	.68	.57	.48	.42	.65	.55	.48	.39	.53	.46	.41	.50	.45	.40	.48	.43	.39	.37
4	.62	.50	.41	.34	.59	.48	.40	.32	.46	.39	.34	.44	.38	.33	.42	.37	.33	.30
5	.56	.44	.35	.29	.54	.43	.35	.28	.41	.34	.28	.39	.33	.28	.38	.32	.28	.26
6	.52	.39	.31	.25	.50	.39	.31	.24	.37	.30	.25	.35	.29	.24	.34	.28	.24	.22
7	.48	.36	.27	.22	.46	.35	.27	.21	.33	.27	.22	.32	.26	.21	.31	.25	.21	.19
8	.45	.32	.25	.19	.43	.32	.24	.19	.31	.24	.19	.29	.23	.19	.28	.23	.19	.17
9	.42	.30	.22	.17	.40	.29	.22	.17	.28	.22	.17	.27	.21	.17	.26	.21	.17	.15
10	.39	.27	.20	.16	.38	.27	.20	.15	.26	.20	.15	.25	.19	.15	.24	.19	.15	.14

Made to order items. Minimum 90 day lead time. Minimum order quantity may vary please contact sales.

¹ DLC Listed / ² DLC Premium Listed / ³ Title 24 / ⁴ JA8 & Title 24 / Typical color consistency. May vary or be changed.

L70 hours calculated based on LED package manufacturer LM80 report and ISTMT report of LED in luminaire. Stated values are for select catalog numbers. Contact Globalux for detailed information. / Actual performance may differ as a result of end-user environment and application. All values are design or typical values, measured under laboratory conditions at 25 °C.