

PROJECT	NOTES	TYPE	DATE	CAT. No.
---------	-------	------	------	----------



DSO

LED Outdoor Ceiling Light

The DSO Series blends contemporary design with cutting-edge LED technology. Emitting a soothing glow, it creates a relaxing atmosphere wherever it's installed. Crafted with a sturdy, weather-resistant aluminum housing, this lantern is built to withstand outdoor elements. For added convenience, it's available with an optional photocell, ensuring automatic illumination from dusk till dawn. Ideal for corridors, stairways, parks, and walkways, the DSO Series combines style and functionality in one elegant package.



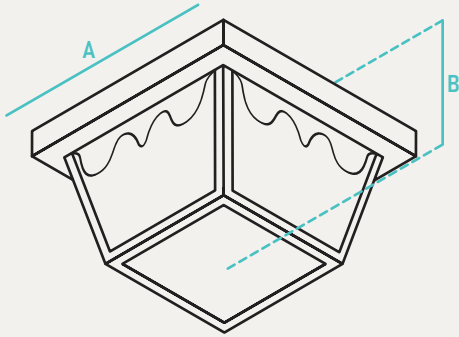
INPUT VOLTAGE	120V
INPUT FREQUENCY	60 Hz
RATED WATTAGE	See Performance Data
DELIVERED LUMENS	See Performance Data
EFFICACY	60 LPW (typ.)
CRI	80
AVAILABLE CCT	3000K, 3500K, 4000K
LENS TYPE	Glass

RATED LIFE	30,000hrs (Based on 3hrs a Day)
L70	>50,000hrs
POWER FACTOR	>0.9
THD	45%
DIMMING	N/A
OPERATING TEMP.	-4°F - 113°F / -20°C to 45°C
BEAM ANGLE	N/A

ORDER INFO / EXAMPLE: DSO-17-120-MCT-BL

QUICK SHIP ITEMS ON PG.2

SERIES	RATED WATTAGE	DRIVER TYPE	COLOR TEMP	FINISH	OPTIONS
DSO	17	120	MCT	BL	P
DSO Decorative Square Outdoor	17- 17W, 1020 Lumens	120- 120V	MCT- 3000K, 3500K, 4000K CCT Selectable; 80CRI	BL- Black	P- Photocell



PERFORMANCE DATA

FORM FACTOR	KELVIN	RATED WATTAGE	DELIVERED LUMENS	EFFICACY (LM/W)
17W	3K/35K/4K	17W	1020	60

QUICK SHIP

DSO-17-120-MCT-BL

ADDITIONAL IMAGES



	A	B	Case QTY
DSO	10" Sq.	6" D	4

CONSTRUCTION

Rugged die-cast aluminum housing withstands outdoor environments. Outer surface treated with durable powder coating to provide resistance to corrosion, rust, weathering and/or degradation. Textured glass lens design and materials provide reduced pixelation.

ELECTRICAL

Equipped standard with 120V fixed output driver operating at 60HZ.

QUALIFICATIONS

All luminaires are built to UL 1598 and 2108 standards, and bear appropriate ETL labels. Wet location labeling is standard. Emergency equipped fixtures labeled UL924. Adheres to LM70, LM80, and TM21 industry standards. Dedicated 120V Models are FCC Title 47 CFR, Part 15, Class B for residential and commercial applications.

INSTALLATION

Designed for mounting on 4" electrical J-Box.

WARRANTY

3-year Limited Warranty. See warranty documentation for more info.

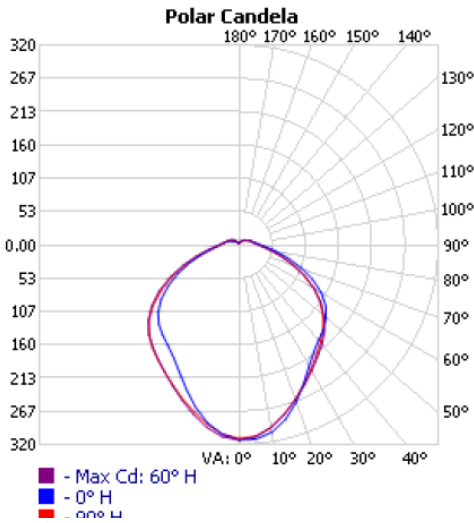
COMPATIBLE JUNCTION BOXES



4" PVC	4" Octagon	4" PVC Ceiling Box	3-1/2" Octagon	4" Round Pancake	4" Octagon / V Bracket
--------	------------	--------------------	----------------	------------------	------------------------

PHOTOMETRIC DATA

DSO-17-120-MCT-BL



Zonal Lumen Summary

Zone	Lumens	% Lamp	% Luminaire
0-30	218.6	22.6%	22.6%
0-40	351.0	36.3%	36.3%
0-60	636.0	65.8%	65.8%
60-90	233.4	24.2%	24.1%
70-100	151.0	15.6%	15.6%
90-120	70.0	7.2%	7.2%
0-90	869.3	90%	90%
90-180	97.1	10%	10%
0-180	966.4	100%	100%

Made to order items. Minimum 90 day lead time. Minimum order quantity may vary please contact sales.

¹ DLC Listed / ² DLC Premium Listed / ³ Title 24 / ⁴ JA8 & Title 24 / Typical color consistency. May vary or be changed.

L70 hours calculated based on LED package manufacturer LM80 report and ISTMT report of LED in luminaire. Stated values are for select catalog numbers. Contact Globalux for detailed information. / Actual performance may differ as a result of end-user environment and application. All values are design or typical values, measured under laboratory conditions at 25 °C.