

PROJECT	NOTES	TYPE	DATE	CAT. No.
---------	-------	------	------	----------



# LOS

## LED Outdoor Square

The LOS Series is designed to enhance exterior spaces while ensuring safety and security. Crafted from robust die-cast aluminum housing with a tempered glass lens, these square fixtures are ideal for use in hallways, garages, patios, and porches.

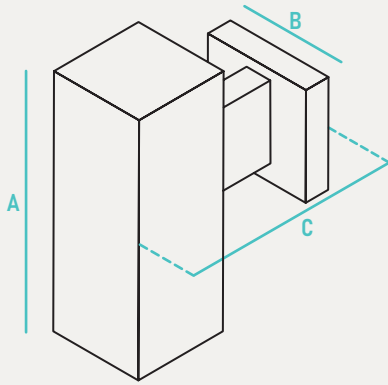


INPUT VOLTAGE	120V
INPUT FREQUENCY	60 Hz
RATED WATTAGE	See Performance Data
DELIVERED LUMENS	See Performance Data
EFFICACY	70 LPW (typ.)
CRI	80
AVAILABLE CCT	2700K, 3000K, 3500K, 4000K, 5000K
LENS TYPE	Glass

RATED LIFE	30,000hrs (Based on 3hrs a Day)
L70	>50,000hrs
POWER FACTOR	>0.9
THD	<20%
DIMMING	N/A
OPERATING TEMP.	-4°F - 113°F / -20°C to 45°C
BEAM ANGLE	N/A

### ORDER INFO / EXAMPLE: LOS-UD-24-120-MCT-BL

SERIES	DISTRIBUTION	RATED WATTAGE	DRIVER TYPE	COLOR TEMP	FINISH	OPTIONS
LOS	UD	24	120	MCT	BL	
<b>LOS</b> LED Outdoor Square	<b>D-</b> Down Only <b>UD-</b> Up and Down	<b>Down Only</b> 12- 12W, 500 Lumens <b>Up and Down</b> 24- 24W, 1000 Lumens	120- 120V	<b>MCT-</b> 2700K, 3000K, 3500K, 4000K, 5000K CCT Selectable, 80+ CRI	<b>BL-</b> Black	<b>P-</b> Photocell



## PERFORMANCE DATA

FORM FACTOR	KELVIN	RATED WATTAGE	DELIVERED LUMENS	EFFICACY (L/M/W)
Down Only	27K-5K	12W	500	41
Up & Down	27K-5K	24W	1000	41

QUICK SHIP	
LOS-D-12-120-MCT-BL	LOS-UD-24-120-MCT-BL

## ADDITIONAL IMAGES



	A	B	C	Case QTY
LOS-D	8" H	4.5" W	6.3" E	6
LOS-UD	12" H	4.5" W	7" E	4

## CONSTRUCTION

Rugged die cast aluminum housing withstands outdoor environments. Outer surface treated with durable power coating to provide resistant to corrosion, rust, weathering, and or degradation. Performance engineered internal heat dissipation fins provide superior thermal management for LED life and reliability. Clear Tempered glass lens.

## ELECTRICAL

Equipped standard with fixed output driver. Long Life LED's, 60,000 hours at L80 with projected life over 100,000 hours for reduced life cycle maintenance costs. Two LED color (Kelvin) temperature options and > 80 CRI.

## QUALIFICATIONS

All luminaires are built to UL 1598 and 2108 standards, and bear appropriate ETL labels. Wet location labeling is standard. Emergency equipped fixtures labeled UL924. Adheres to LM70, LM80, and TM21 industry standards. Dedicated 120V Models are FCC Title 47 CFR, Part 15, Class B for residential and commercial applications.

## INSTALLATION

Designed for mounting on 4" electrical J-Box.

## WARRANTY

5-year Limited Warranty. See warranty documentation for more info.

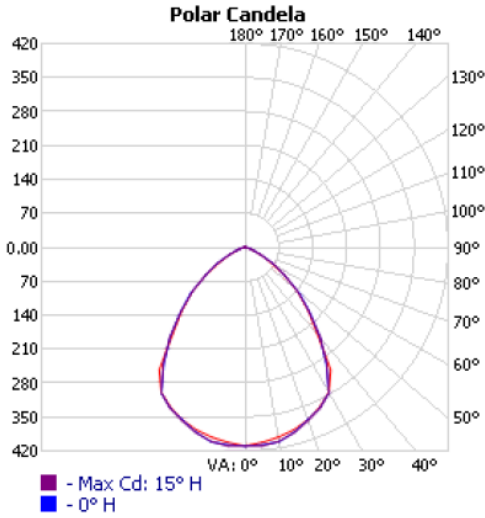
## COMPATIBLE JUNCTION BOXES



4" PVC	4" Octagon	4" PVC Ceiling Box	3-1/2" Octagon	4" Round Pancake	4" Octagon / V Bracket
--------	------------	--------------------	----------------	------------------	------------------------

## PHOTOMETRIC DATA

LOS-D-12-120-MCT



### Zonal Lumen Summary

Zone	Lumens	% Lamp	% Luminaire
0-30	318.4	40.2%	40.2%
0-40	501.7	63.3%	63.4%
0-60	736.9	93%	93.2%
60-90	53.2	6.7%	6.7%
70-100	14.3	1.8%	1.8%
90-120	0.007	0%	0%
0-90	790.2	99.7%	99.9%
90-180	0.9	0.1%	0.1%
0-180	791.1	99.8%	100%

Made to order items. Minimum 90 day lead time. Minimum order quantity may vary please contact sales.

<sup>1</sup> DLC Listed / <sup>2</sup> DLC Premium Listed / <sup>3</sup> Title 24 / <sup>4</sup> JA8 & Title 24 / Typical color consistency. May vary or be changed.

L70 hours calculated based on LED package manufacturer LM80 report and ISTMT report of LED in luminaire. Stated values are for select catalog numbers. Contact Globalux for detailed information. / Actual performance may differ as a result of end-user environment and application. All values are design or typical values, measured under laboratory conditions at 25 °C.