



Project	
Notes	
Type	Date
Cat. No.	

DCL2™ Series

Decorative Ceiling Light

DESCRIPTION

The LED Based DCL2 series is a ceiling or wall mount series which can be used in a broad range of residential and commercial applications. This series provides customers with a high quality luminaire utilizing the latest LED, solid state lighting and electronic driver technology for optimal performance and maximized energy efficiency. With a traditional opal white lens, the DCL2 series produces even, uniform light distribution and ideal choice for offices, corridors, stairways, bedroom, closet and foyers applications where customers are replacing incandescent, circline or compact fluorescent lamps. Equipped with 5CCT adjustable switch.



DCL2 Series
 17W, (1,190 Lumens)
 26W, (1,820 Lumens)

Specification Features



Construction

Contemporary decorative fixture with nickel satin finished steel pans and frosted glass diffusers. Lens design and materials provide uniform appearance without pixelation.

Qualifications

All luminaires are built to UL 1598 and 2108 standards, and bear appropriate ETL labels. Damp location labeling is standard. Emergency equipped fixtures labeled UL924. Adheres to LM70, LM80, and TM21 industry standards. ENERGY STAR® certified product (for 3000K and 4000K only) and Title 24 qualified. Dedicated 120V Models are FCC Title 47 CFR, Part 15, Class B for residential and commercial applications. California Title 24 Compliant, CEC Listing.

Electrical

Equipped standard with 120V 10-100% dimming driver.

Installation

Designed for wall or ceiling mounting on 4" electrical J-Box.

Warranty

3-year limited warranty. See complete warranty for terms and exclusions. (Labor not included).

Rated Life 50,000 hours
Limited Warranty 3 years
Efficacy Up to 70 LPW
Dimming Continuous



Quick Ship

DCL2-12-17-120D-MCT-BN
 DCL2-14-26-120D-MCT-BN

Ordering Information

Example: DCL2-12-17-120D-MCT-BN

DCL2	12	17	120D	MCT	BN
Series	Form Factor	Rated Wattage	Driver Type	Color Temp	Finish
Decorative Ceiling Light	12- 12" Pan 14- 14" Pan	12" Pan 7- 17W; 1,190 Lumens 14" Pan 26- 26W; 1,820 Lumens	120D-120V, Dimming, Dims to 10%	MCT- 2700/3000/3500/ 4000/5000K; 90+ CRI	BN- Brushed Nickel

Specifications and Dimensions subject to change without notice.

Performance Summary

Input Voltage	120V
Input Frequency	50/60 Hz
Rated Wattage	See Performance Table
Delivered Lumens	See Performance Table
Efficacy	70 LPW (typ.)
CRI	90+, R9 > 0
Available CCT ¹	2700/3000/3500/4000/5000K
Color Consistency ²	5-step MacAdam Ellipse
Rated Life	50,000 hours
L70 ³	> 72,000 hours or > 45,000
Power Factor	>0.71
THD	< 20%
Dimming	120V Dimming (10-100%)
Operating Temp.	-18°C to 40°C

Performance Data

Lens Type	Form Factor	Catalog No.	Rated Wattage (W)	Delivered Lumens	Efficacy (lm/W)
Opal	12"	DCL2-12-17-120D-MCT	17	1,190	70
	14"	DCL2-14-26-120D-MCT	26	1,820	70

NOTES:

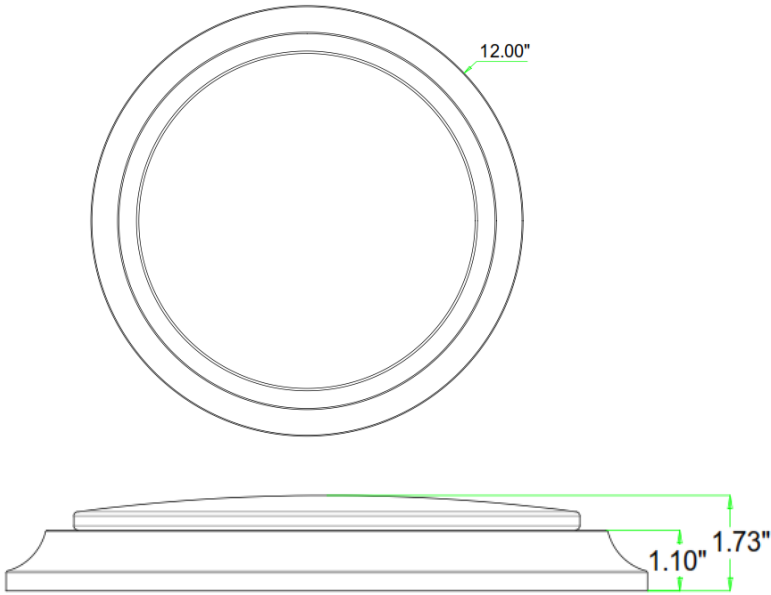
- ¹ Made to order items. Minimum 90 day lead time. Minimum 500 order quantity.
- ² Energy star listed
- ³ Quick ship: Made To order Only
- ⁴ Typical color consistency. May vary or be changed.
- ⁵ L70 hours calculated based on LED package manufacturer LM80 report and ISTMT report of LED in luminaire. Stated values are for select catalog numbers. Contact manufacturer for detailed information
- ⁶ NOTE: Actual performance may differ as a result of end-user environment and application. All values are design or typical values, measured under laboratory conditions at 25 °C.



Specifications and Dimensions subject to change without notice.

Product Dimensions

DCL2-12



DCL2-14

